

Thru/Back Sink Fitting

SC-5744



SC-5746



SC-5748



GENERAL SPECIFICATION

Chrome plated cast brass thru/back sink fitting. 5 1/4" deep spread goose-neck spout, rigid or swivel. 8" centers with eccentric inlets. Adjustable threaded brass wall flanges. 1/2" NPTF inlets. Vandal-resistant flow control reduces flow to 2.2 gpm/8.4 lpm maximum. Meets ASME A112.18.1/CSA B125.1 and NSF61.

SC-5744

Vandal-resistant 4" wrist blade handles with color-coded indexes.

SC-5746

Vandal-resistant 6" wrist blade handles with color-coded indexes.

SC-5748

Vandal-resistant wing handles with color-coded indexes.

OPTIONS

| SUFFIX | DESCRIPTION |
|-------------------------------|---|
| <input type="checkbox"/> BO | 0.5 gpm flow control, vandal-resistant |
| <input type="checkbox"/> CA** | No lead for CA AB1953 compliance |
| <input type="checkbox"/> FC* | 2.0 gpm laminar flow control, plain end spout |
| <input type="checkbox"/> GB | 1.5 gpm flow control, vandal-resistant |
| <input type="checkbox"/> LF | 2.2 gpm laminar flow control outlet |
| <input type="checkbox"/> MI | Metal index for handles |
| <input type="checkbox"/> SO | Rose spray outlet |
| <input type="checkbox"/> 4* | 3-3/4" deep spread gooseneck spout, rigid or swivel |
| <input type="checkbox"/> 8* | 8" deep spread gooseneck spout, rigid or swivel |
| <input type="checkbox"/> 9* | 9" deep tubular swing spout, rigid or swivel |
| <input type="checkbox"/> 12* | 12" deep tubular swing spout, rigid or swivel |
| <input type="checkbox"/> EC | RCP eccentric couplings adjust for installations with 4" to 12" centers |
| <input type="checkbox"/> VB6* | 6" deep spread rigid vacuum breaker spout |
| <input type="checkbox"/> VB8* | 8" deep spread rigid vacuum breaker spout |

VACUUM BREAKER OPTIONS

| SUFFIX | DESCRIPTION |
|-----------------------------|--------------|
| <input type="checkbox"/> ST | Serrated tip |
| <input type="checkbox"/> SW | Swivel spout |

*See page 213 for optional spout specifications

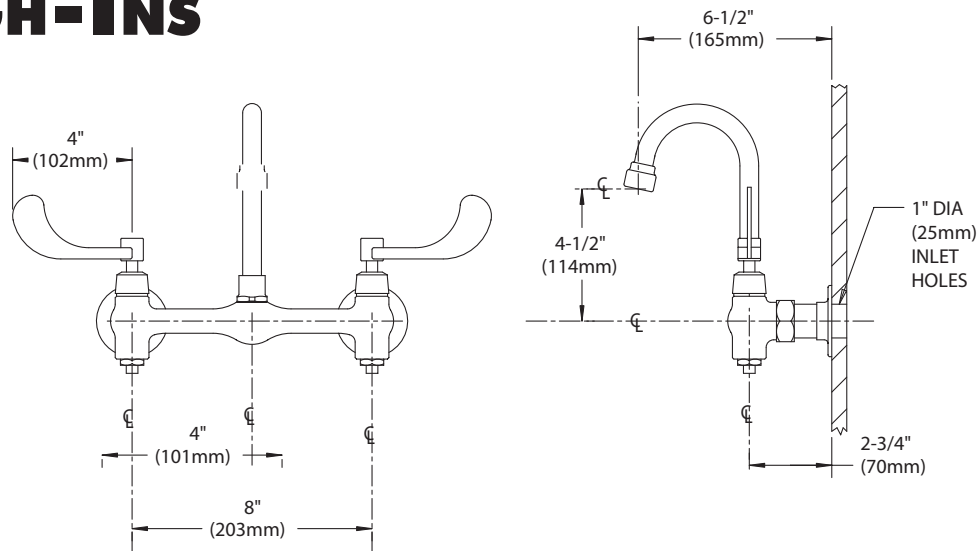
** The following options are not available with the "CA" option: HS (Hose & Spray), EC, SO, TVI, VB6, VB8, ST, SW, & TMV.

This space for Architect/Engineer approval.

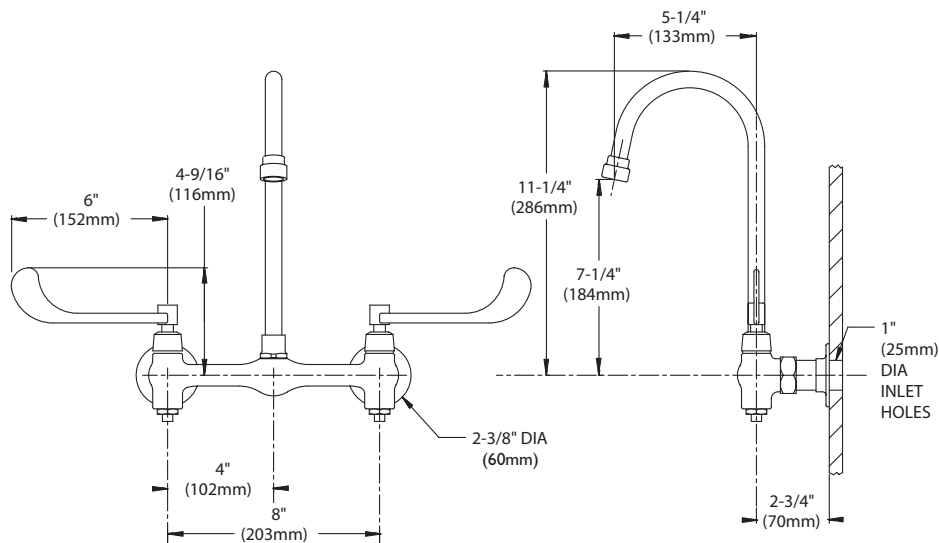


ROUGH-INS

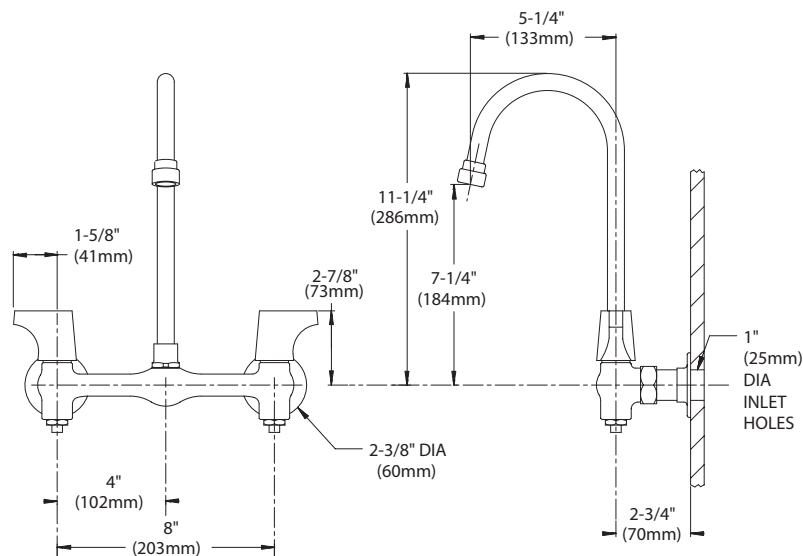
SC-5744



SC-5746



SC-5748



NOTE: All dimensions are in inches (millimeters) unless otherwise specified and are subject to change without notice. Unless otherwise specified, all inlets are 1/2" NPTF.



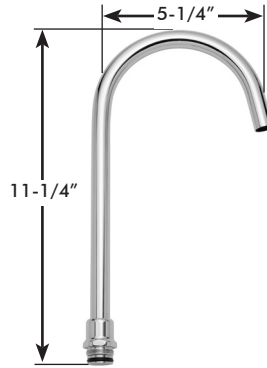
Spout -4, rigid or swivel
 3-3/4" deep gooseneck



Spout -4FC, rigid or swivel
 3-3/4" deep plain end gooseneck;
 laminar flow in base of spout



Spout -5, rigid or swivel
 5-1/4" deep gooseneck



Spout -5FC, rigid or swivel
 5-1/4" deep plain end gooseneck;
 laminar flow in base of spout

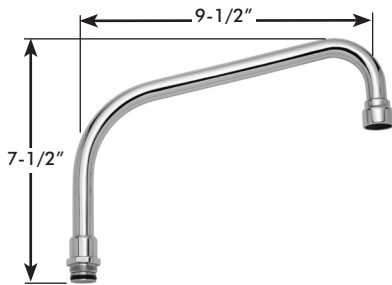


STANDARD SPOUT FOR
 DECK MOUNTED
 KITCHEN SINK FITTINGS

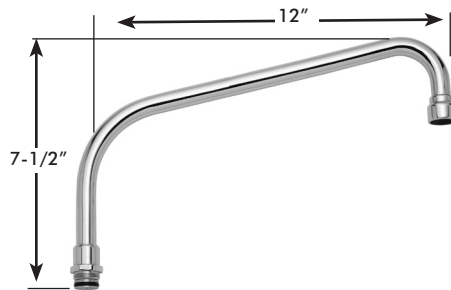
Spout -8, rigid or swivel
 8" deep gooseneck



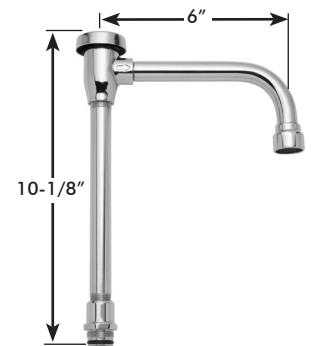
Spout -8FC, rigid or swivel
 8" deep plain end gooseneck;
 laminar flow in base of spout



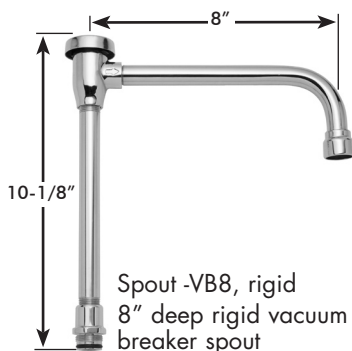
Spout -9, rigid or swivel
 9" deep tubular swing spout



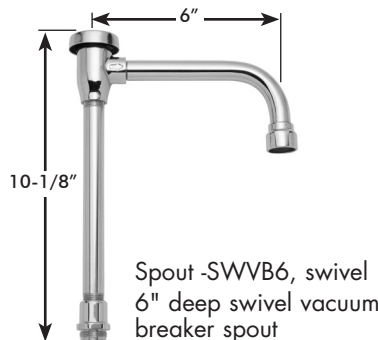
Spout -12, rigid or swivel
 12" deep tubular swing spout



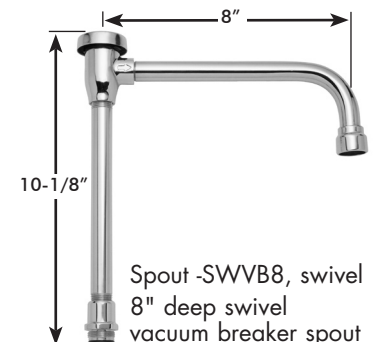
Spout -VB6, rigid
 6" deep rigid vacuum breaker spout



Spout -VB8, rigid
 8" deep rigid vacuum
 breaker spout



Spout -SWVB6, swivel
 6" deep swivel vacuum
 breaker spout



Spout -SWVB8, swivel
 8" deep swivel
 vacuum breaker spout