

## COMMANDER®

### Deck Mounted Kitchen Sink Fittings

**SC-5724**



**SC-5726**



#### GENERAL SPECIFICATION

Polished chrome plated Commander 8" deck fitting with 1/4 turn ceramic cartridges covered by a 25-year warranty. Brass body with rigid shanks. Accommodates installations up to 3/4" thick. 8" deep gooseneck spout, rigid or swivel. Vandal-resistant flow control reduces flow to 2.2 gpm/8.4 lpm. Meets ASME A112.18.1/CSA B125.1 and NSF61.

**SC-5724**

Vandal-resistant 4" wrist blade handles with color-coded indexes.

**SC-5726**

Vandal-resistant 6" wrist blade handles with color-coded indexes.

#### OPTIONS

SUFFIX	DESCRIPTION
<input type="checkbox"/> BO	0.5 gpm flow control, vandal-resistant
<input type="checkbox"/> CA**	No lead for CA AB1953 compliance
<input type="checkbox"/> FC*	2.0 gpm laminar flow control, plain end spout
<input type="checkbox"/> GB	1.5 gpm flow control, vandal-resistant
<input type="checkbox"/> HS	Hose and spray attachment
<input type="checkbox"/> LF	2.2 gpm laminar flow control outlet
<input type="checkbox"/> MI	Metal index for handles
<input type="checkbox"/> SO	Rose spray outlet
<input type="checkbox"/> 4*	3-3/4" deep spread gooseneck spout, rigid or swivel
<input type="checkbox"/> 5*	5-1/4" deep spread gooseneck spout, rigid or swivel
<input type="checkbox"/> 9*	9" deep tubular swing spout, rigid or swivel
<input type="checkbox"/> 12*	12" deep tubular swing spout, rigid or swivel
<input type="checkbox"/> VB6*	6" deep spread rigid vacuum breaker spout
<input type="checkbox"/> VB8*	8" deep spread rigid vacuum breaker spout

#### VACUUM BREAKER OPTIONS

SUFFIX	DESCRIPTION
<input type="checkbox"/> ST	Serrated tip
<input type="checkbox"/> SW	Swivel spout

\* See page 213 for optional spout specifications

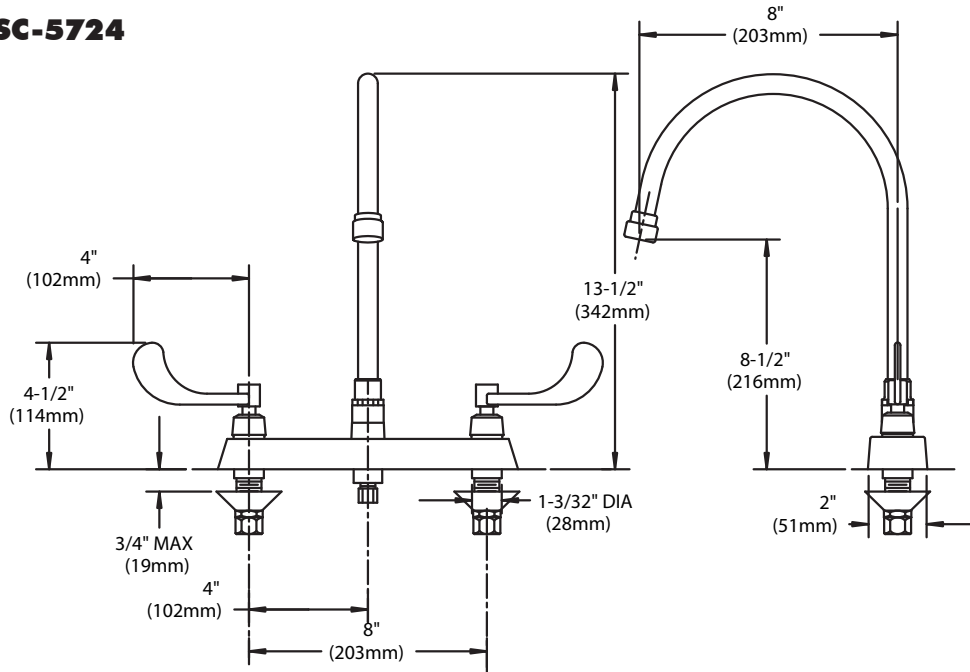
\*\* The following options are not available with the "CA" option: SO, TWI, VB6, VB8, ST, SW, & TMV.

This space for Architect/Engineer approval.

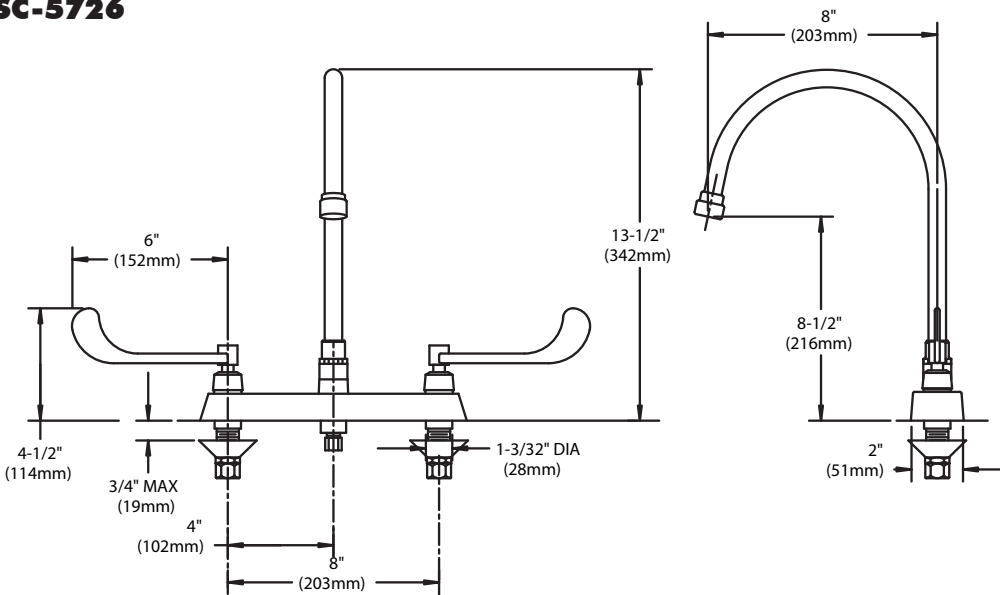


## ROUGH-INS

### SC-5724



### SC-5726



NOTE: All dimensions are in inches (millimeters) unless otherwise specified and are subject to change without notice. Inlets are sized for either coupling or sweat connections. Unless otherwise specified, all inlets are 1/2" NPSM.



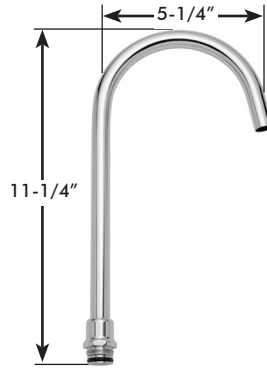
Spout -4, rigid or swivel  
 3-3/4" deep gooseneck



Spout -4FC, rigid or swivel  
 3-3/4" deep plain end gooseneck;  
 laminar flow in base of spout



Spout -5, rigid or swivel  
 5-1/4" deep gooseneck



Spout -5FC, rigid or swivel  
 5-1/4" deep plain end gooseneck;  
 laminar flow in base of spout

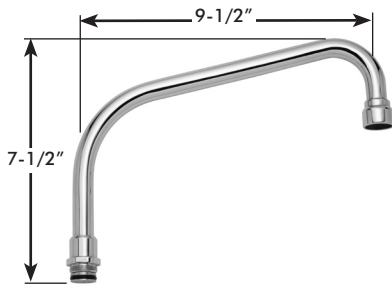


STANDARD SPOUT FOR  
 DECK MOUNTED  
 KITCHEN SINK FITTINGS

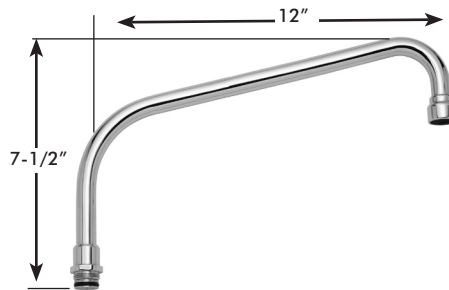
Spout -8, rigid or swivel  
 8" deep gooseneck



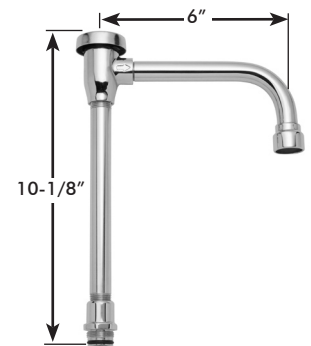
Spout -8FC, rigid or swivel  
 8" deep plain end gooseneck;  
 laminar flow in base of spout



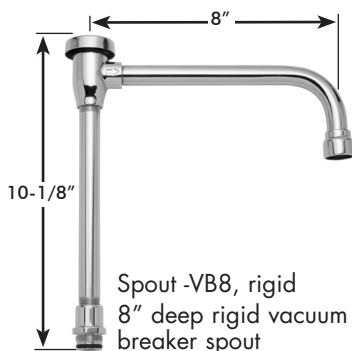
Spout -9, rigid or swivel  
 9" deep tubular swing spout



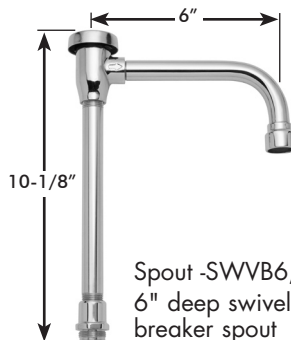
Spout -12, rigid or swivel  
 12" deep tubular swing spout



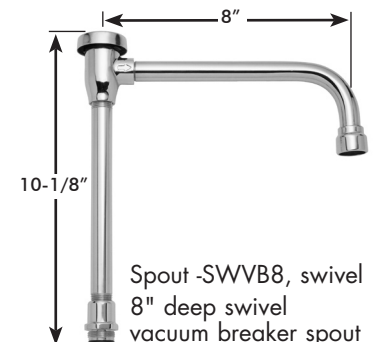
Spout -VB6, rigid  
 6" deep rigid vacuum breaker spout



Spout -VB8, rigid  
 8" deep rigid vacuum  
 breaker spout



Spout -SWVB6, swivel  
 6" deep swivel vacuum  
 breaker spout



Spout -SWVB8, swivel  
 8" deep swivel  
 vacuum breaker spout