

COMMANDER®

4" Centerset Lavatory Combinations

SC-3061



GENERAL SPECIFICATION

Polished chrome plated Commander 4" centerset lavatory faucet with 1/4 turn ceramic cartridges covered by a 25-year warranty. Accommodates installations up to 7/8" thick. Water conserving flow control reduces flow to 2.2 gpm/8.4 lpm. Meets ASME A112.18.1/CSA B125.1 and NSF61.

Cross Handle Models

Vandal-resistant four arm handles with color-coded indexes.

- SC-3061** Solid brass 1-1/4" pop-up drain
- SC-3071** Strainer drain
- SC-3071-LD** No drain assembly

D75 Cross Handle Models

Diamond 75 four arm handles with color-coded indexes.

- SC-3061-D75** Solid brass 1-1/4" pop-up drain
- SC-3071-D75** Strainer drain
- SC-3071-D75-LD** No drain assembly



SC-3061-D75



OPTIONS

SUFFIX	DESCRIPTION
<input type="checkbox"/> BO	0.5 gpm flow control, vandal-resistant
<input type="checkbox"/> CA**	Low lead for CA AB1953 compliance
<input type="checkbox"/> GB	1.5 gpm flow control, vandal-resistant
<input type="checkbox"/> LD	Less drain assembly (SC-3061 & SC-3061-D75 only)
<input type="checkbox"/> LF	2.2 gpm laminar flow control outlet
<input type="checkbox"/> MI	Metal index for handles
<input type="checkbox"/> VR	Vandal-resistant outlet device

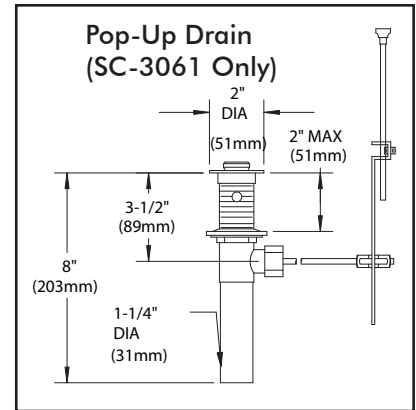
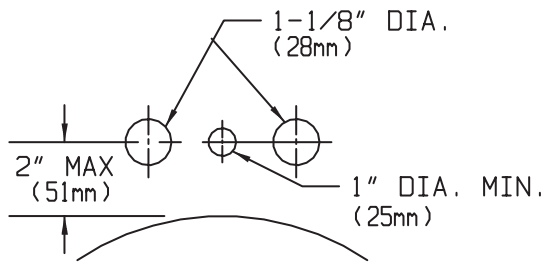
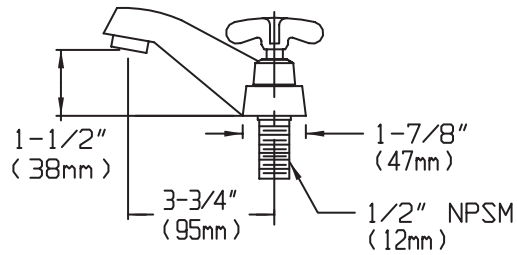
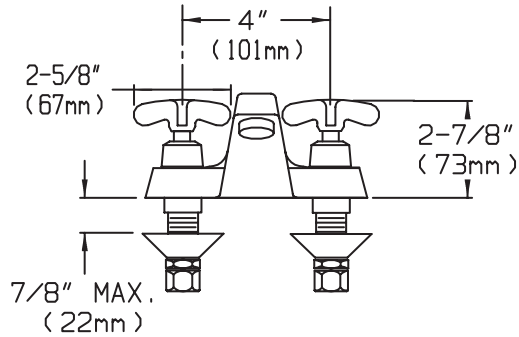
** The following options are not available with the "CA" option:
 HS (Hose & Spray), SO, TWI, VB6, VB8, ST, SW, & TMV.

This space for Architect/Engineer approval.

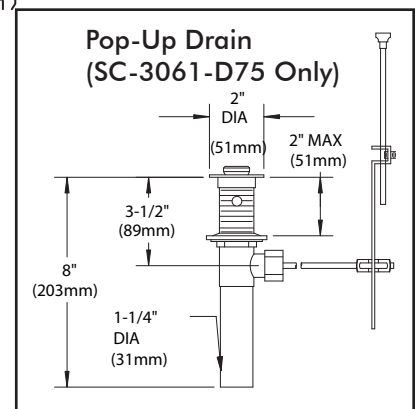
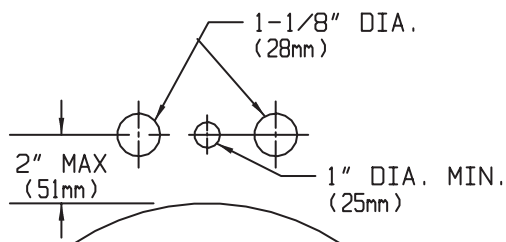
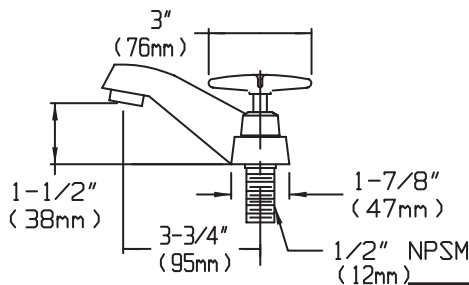
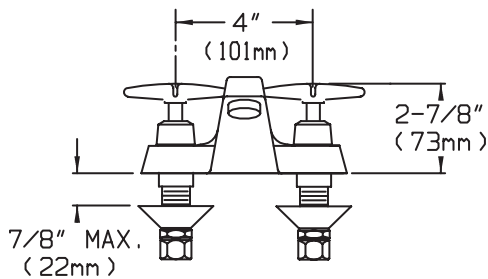


ROUGH-INS

SC-3061



SC-3061-D75



NOTE: All dimensions are in inches (millimeters) unless otherwise specified and are subject to change without notice. Lavatory inlets are sized for either coupling or sweat connections. Unless otherwise specified, all inlets are 1/2" NPSM.