

## COMMANDER®

## Widespread Gooseneck Lavatory Combinations

### SC-3004-LD



### SC-3006-LD



### GENERAL SPECIFICATION

Polished chrome plated Commander widespread gooseneck lavatory faucet with 1/4 turn ceramic cartridges covered by a 25-year warranty. 8" fixed, rigid or swivel centers with rigid copper tee connection. Accommodates installations up to 1 1/2" thick. Widespread faucet with 5-1/4" deep spread gooseneck spout. Vandal-resistant water conserving flow control reduces flow to 2.2 gpm/8.4 lpm. Meets ASME A112.18.1/CSA B125.1 and NSF61.

### 4" Wrist Blade Handle Models

Vandal-resistant 4" wrist blade handles with color-coded indexes.

- SC-3004** Strainer drain
- SC-3004-LD** No drain assembly
- SC-3014** Solid brass 1-1/4" pop-up drain

### 6" Wrist Blade Handle Models

Vandal-resistant 6" wrist blade handles with color-coded indexes.

- SC-3006** Strainer drain
- SC-3006-LD** No drain assembly
- SC-3016** Solid brass 1-1/4" pop-up drain

### OPTIONS

SUFFIX	DESCRIPTION
<input type="checkbox"/> BO	0.5 gpm flow control, vandal-resistant
<input type="checkbox"/> CA**	Low lead for CA AB1953 compliance
<input type="checkbox"/> CWO	Cold water only (only available with FH option)
<input type="checkbox"/> D75	Diamond 75 escutcheons
<input type="checkbox"/> FC*	2.0 gpm laminar flow control, plain end spout
<input type="checkbox"/> FH	Flex hose (3/8" x 3/8" compression)
<input type="checkbox"/> GB	1.5 gpm flow control, vandal-resistant
<input type="checkbox"/> HS	Hose and spray attachment (only available with FH option)
<input type="checkbox"/> LD	Less drain assembly (SC-3014 & SC-3016 only)
<input type="checkbox"/> LF	2.2 gpm laminar flow control outlet
<input type="checkbox"/> MI	Metal index for handles
<input type="checkbox"/> SO	Rose spray outlet
<input type="checkbox"/> 4*	3-3/4" deep spread gooseneck spout, rigid or swivel
<input type="checkbox"/> 8*	8" deep spread gooseneck spout, rigid or swivel
<input type="checkbox"/> 9*	9" deep tubular swing spout, rigid or swivel
<input type="checkbox"/> 12*	12" deep tubular swing spout, rigid or swivel
<input type="checkbox"/> TWI	Tee for connection to pedal valves and widespread valve bodies (only available with FH option)
<input type="checkbox"/> VB6*	6" deep rigid vacuum breaker spout
<input type="checkbox"/> VB8*	8" deep rigid vacuum breaker spout

### VACUUM BREAKER OPTIONS

SUFFIX	DESCRIPTION
<input type="checkbox"/> ST	Serrated tip
<input type="checkbox"/> SW	Swivel spout

\*See page 99 for optional spout specifications

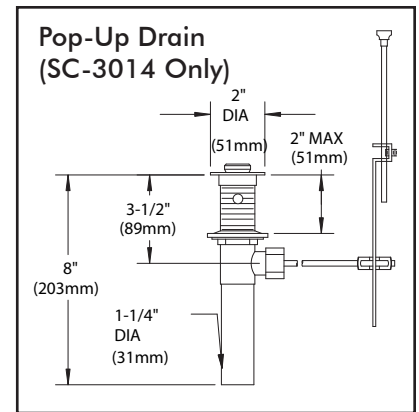
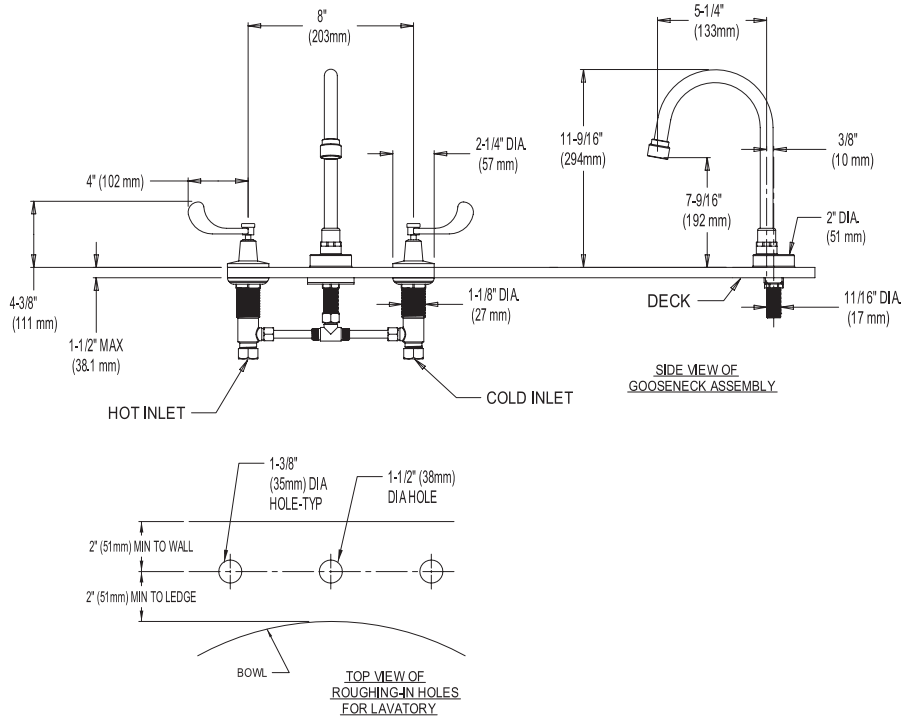
\*\* The following options are not available with the "CA" option:  
 HS (Hose & Spray), SO, TWI, VB6, VB8, ST, SW, & TMV.

This space for Architect/Engineer approval.

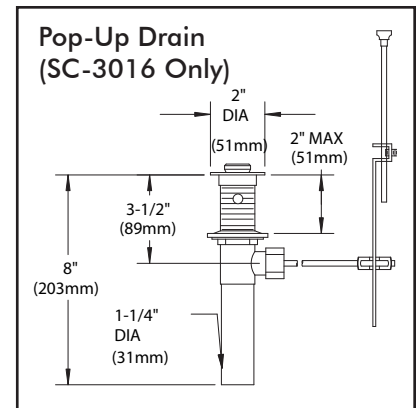
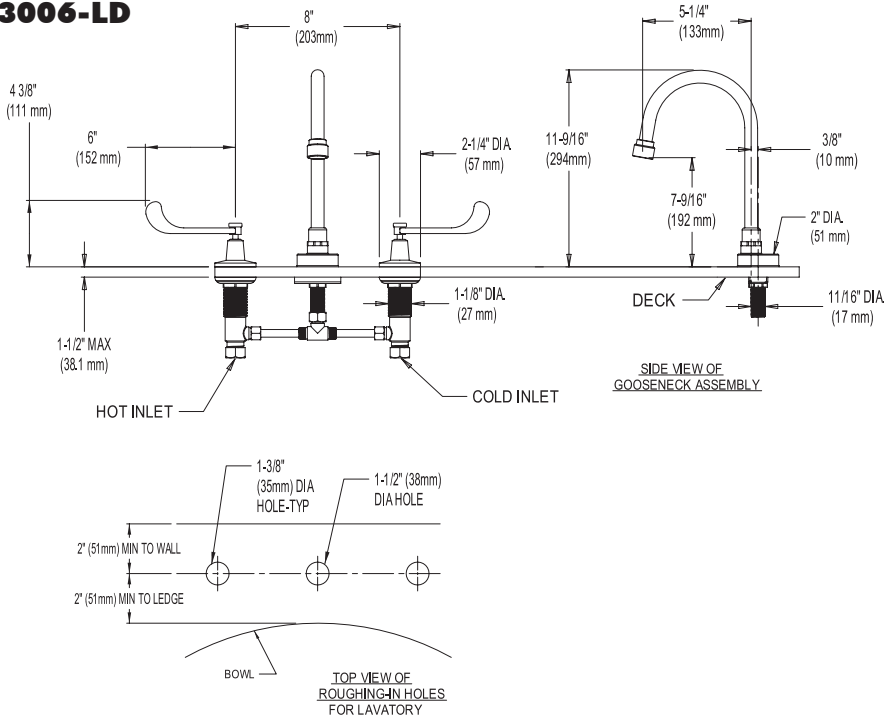


## ROUGH-INS

### SC-3004-LD



### SC-3006-LD



**NOTE:** All dimensions are in inches (millimeters) unless otherwise specified and are subject to change without notice. Lavatory inlets are sized for either coupling or sweat connections. Unless otherwise specified, all inlets are 1/2" NPSM.