

COMMANDER®

Widespread Gooseneck Lavatory Combinations

SC-3001-LD



SC-3001-D75-LD



GENERAL SPECIFICATION

Polished chrome plated Commander widespread gooseneck lavatory faucet with 1/4 turn ceramic cartridges covered by a 25-year warranty. 8" fixed centers with rigid copper tee connection. Accommodates installations up to 1 1/2" thick. Widespread faucet with 5-1/4" deep spread gooseneck spout. Vandal-resistant water conserving flow control reduces flow to 2.2 gpm/8.4 lpm. Meets ASME A112.18.1/CSA B125.1 and NSF61.

Cross Handle Models

Vandal-resistant four arm handles with color-coded indexes.

- SC-3001** Strainer drain
- SC-3001-LD** No drain assembly
- SC-3011** Solid brass 1-1/4" pop-up drain

D75 Cross Handle Models

Diamond 75 escutcheons and four arm handles with color-coded indexes.

- SC-3001-D75** Strainer drain
- SC-3001-D75-LD** No drain assembly
- SC-3011-D75** Solid brass 1-1/4" pop-up drain

OPTIONS

| SUFFIX | DESCRIPTION |
|-------------------------------|--|
| <input type="checkbox"/> BO | 0.5 gpm flow control, vandal-resistant |
| <input type="checkbox"/> CWO | Cold water only (only available with FH option) |
| <input type="checkbox"/> CA** | No lead for CA AB1953 compliance |
| <input type="checkbox"/> D75 | Diamond 75 escutcheons (standard on D75 models) |
| <input type="checkbox"/> FC* | 2.0 gpm laminar flow control, plain end spout |
| <input type="checkbox"/> FH | Flex hose (3/8" x 3/8" compression) |
| <input type="checkbox"/> GB | 1.5 gpm flow control, vandal-resistant |
| <input type="checkbox"/> HS | Hose and spray attachment (only available with FH option) |
| <input type="checkbox"/> LD | Less drain assembly (SC-3011 & SC-3011-D75 only) |
| <input type="checkbox"/> LF | 2.2 gpm laminar flow control outlet |
| <input type="checkbox"/> MI | Metal index for handles |
| <input type="checkbox"/> SO | Rose spray outlet |
| <input type="checkbox"/> 4* | 3-3/4" deep spread gooseneck spout, rigid or swivel |
| <input type="checkbox"/> 8* | 8" deep spread gooseneck spout, rigid or swivel |
| <input type="checkbox"/> 9* | 9" deep tubular swing spout, rigid or swivel |
| <input type="checkbox"/> 12* | 12" deep tubular swing spout, rigid or swivel |
| <input type="checkbox"/> TWI | Tee for connection to pedal valves and widespread valve bodies (only available with FH option) |
| <input type="checkbox"/> VB6* | 6" deep rigid vacuum breaker spout |
| <input type="checkbox"/> VB8* | 8" deep rigid vacuum breaker spout |

VACUUM BREAKER OPTIONS

| SUFFIX | DESCRIPTION |
|-----------------------------|--------------|
| <input type="checkbox"/> ST | Serrated tip |
| <input type="checkbox"/> SW | Swivel spout |

* See page 135 for optional spout specifications

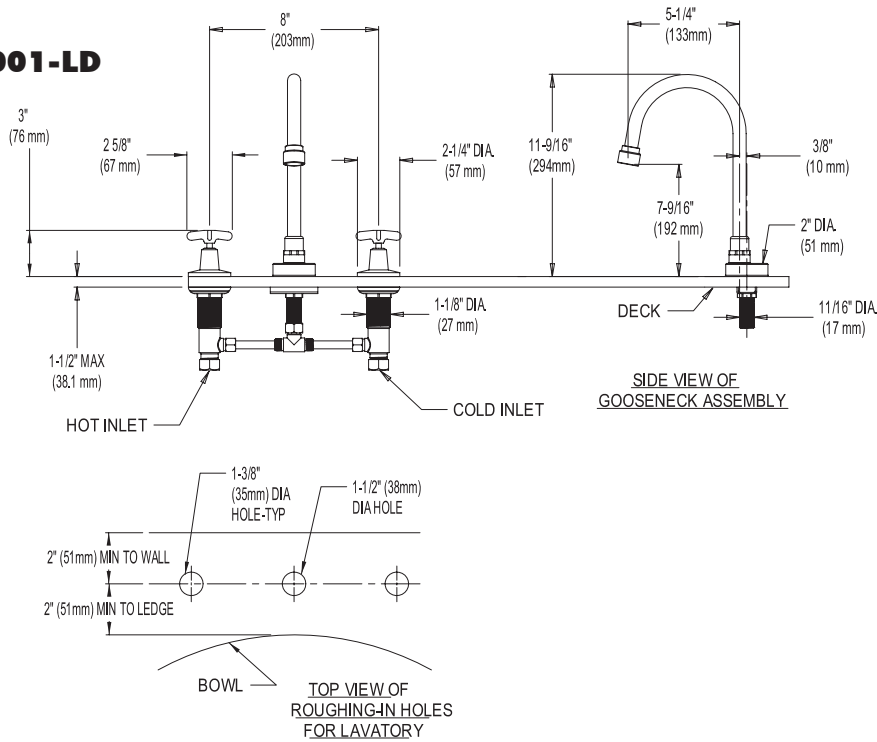
** The following options are not available with the "CA" option:
 HS (Hose & Spray), SO, TWI, VB6, VB8, ST, SW, & TMV.

This space for Architect/Engineer approval.



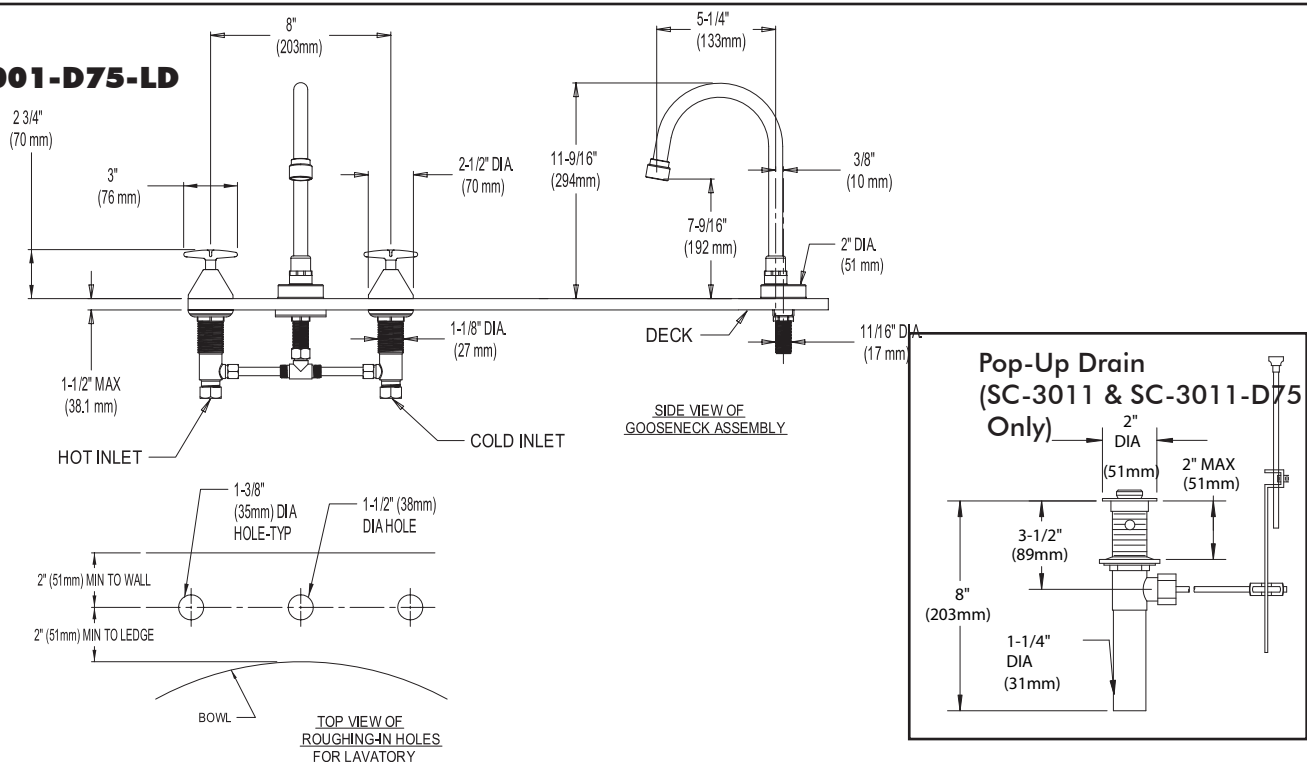
ROUGH-INS

SC-3001-LD



NOTES

SC-3001-D75-LD



NOTE: All dimensions are in inches (millimeters) unless otherwise specified and are subject to change without notice. Lavatory inlets are sized for either coupling or sweat connections. Unless otherwise specified, all inlets are 1/2" NPSM.

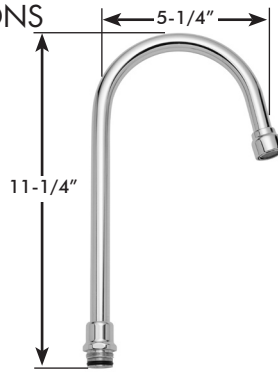
STANDARD SPOUT FOR WIDESPREAD GOOSENECK LAVATORY COMBINATIONS



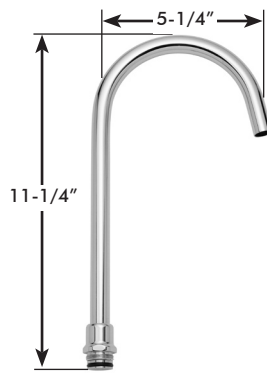
Spout -4, rigid or swivel
 3-3/4" deep gooseneck



Spout -4FC, rigid or swivel
 3-3/4" deep plain end gooseneck;
 laminar flow in base of spout



Spout -5, rigid or swivel
 5-1/4" deep gooseneck



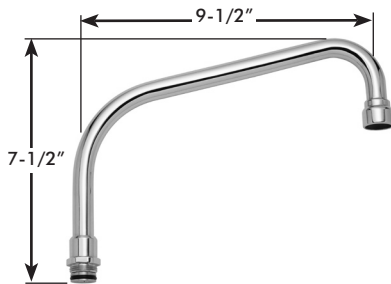
Spout -5FC, rigid or swivel
 5-1/4" deep plain end gooseneck;
 laminar flow in base of spout



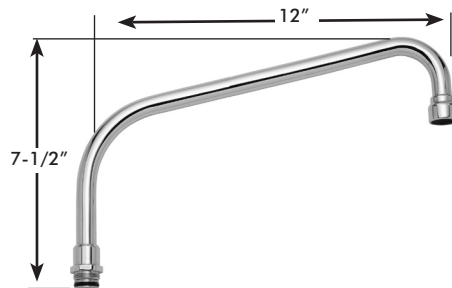
Spout -8, rigid or swivel
 8" deep gooseneck



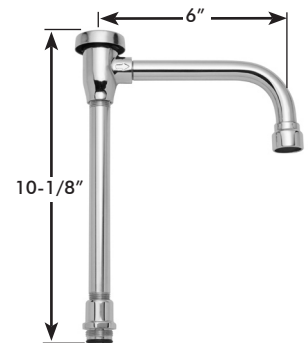
Spout -8FC, rigid or swivel
 8" deep plain end gooseneck;
 laminar flow in base of spout



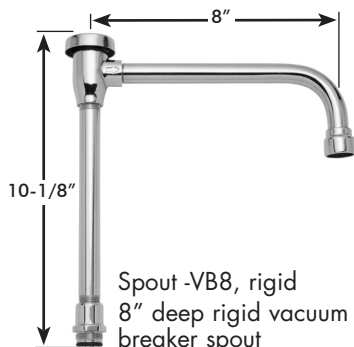
Spout -9, rigid or swivel
 9" deep tubular swing spout



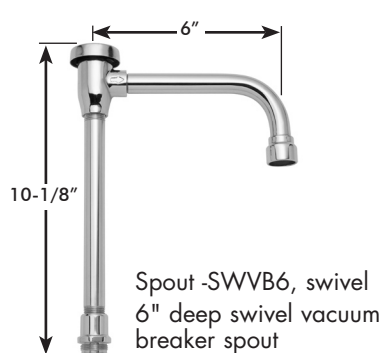
Spout -12, rigid or swivel
 12" deep tubular swing spout



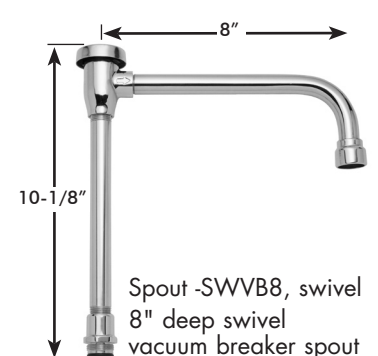
Spout -VB6, rigid
 6" deep rigid vacuum breaker spout



Spout -VB8, rigid
 8" deep rigid vacuum
 breaker spout



Spout -SWVB6, swivel
 6" deep swivel vacuum
 breaker spout



Spout -SWVB8, swivel
 8" deep swivel
 vacuum breaker spout