

COMMANDER®

SC-1131-AF



SC-1151-AF



SC-1191



Shower & Bath

GENERAL SPECIFICATION

Commander concealed valve combinations. 1/4 turn ceramic cartridges covered by 25-year warranty. Chrome plated patented vandal-resistant four-arm handles with color-coded indexes. Brass bypass bodies with 1/2" pipe plugs. Integral stops. Reversible couplings for 1/2" sweat or NPTF inlet.

□ SC-1131-AF

S-2272-E2 showerhead with flow control device reduces flow to 2.0 gpm/7.57 lpm maximum to meet existing ASME A112.18.1/CSA B125.1 standard. S-2500 shower arm and wall flange.

□ SC-1151-AF

S-2272-E2 showerhead with flow control device reduces flow to 2.0 gpm/7.57 lpm maximum to meet existing ASME A112.18.1/CSA B125.1 standard. S-2500 shower arm and wall flange. S-1556 diverter tub spout.

□ SC-1191

Bath filler with S-1554 tub spout.

OPTIONS

SUFFIX	DESCRIPTION
--------	-------------

- | | |
|-------|------------------------------------|
| □ D75 | Diamond 75 escutcheons and handles |
|-------|------------------------------------|

OPTIONS FOR SC-1131-AF & SC-1151-AF ONLY

SUFFIX	DESCRIPTION
--------	-------------

- | | |
|-------|------------------------------------|
| □ 1 | S-2251 showerhead |
| □ 2 | S-2252 showerhead |
| □ 2VR | S-2252 vandal-resistant showerhead |
| □ 3 | S-2253 showerhead |
| □ 6 | S-2288 showerhead |
| □ 9 | S-2292 showerhead |

OPTIONS

SUFFIX	DESCRIPTION
--------	-------------

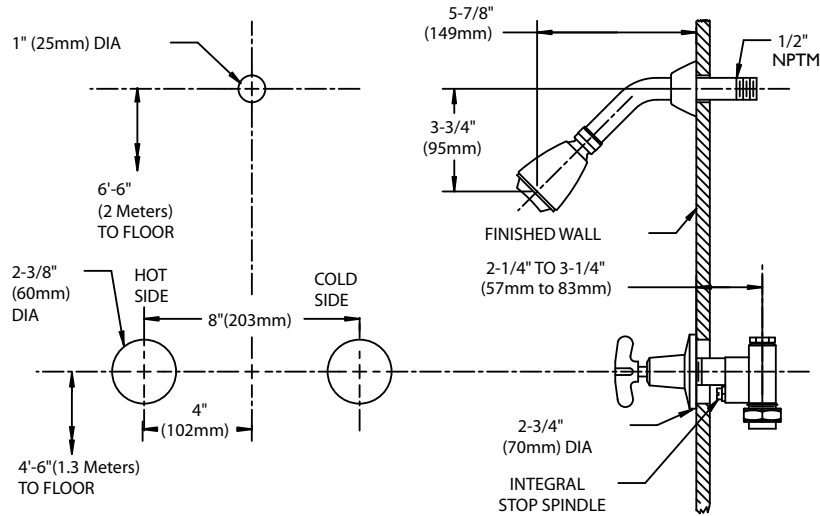
- | | |
|------|-----------------------|
| □ CO | Center only with trim |
|------|-----------------------|

This space for Architect/Engineer approval.

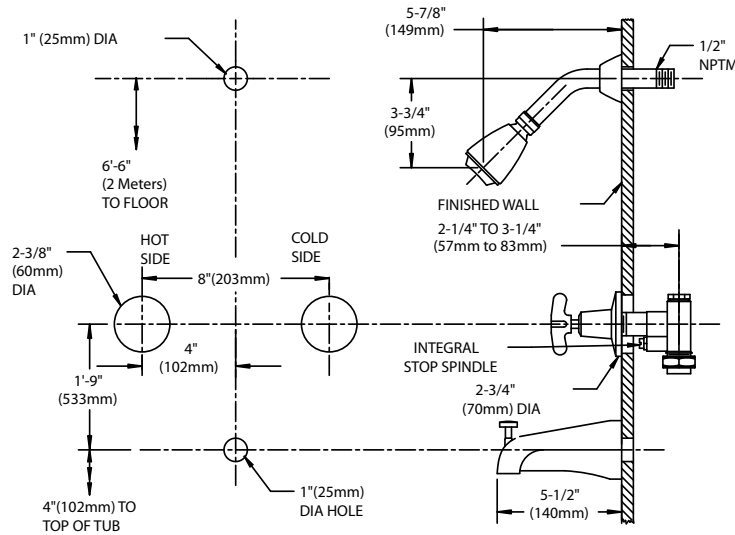


ROUGH-INS

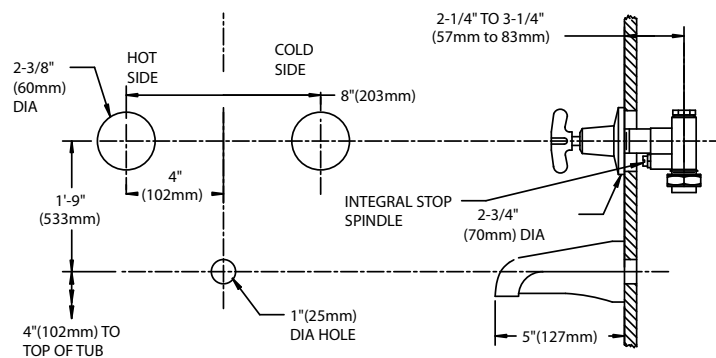
SC-1131-AF



SC-1151-AF



SC-1191



NOTE: Unless otherwise specified, all inlets and outlets are 1/2" NPTF. Tub outlet is 3/4 NPTF. Unless otherwise specified, all dimensions are in inches and are subject to change without notice.