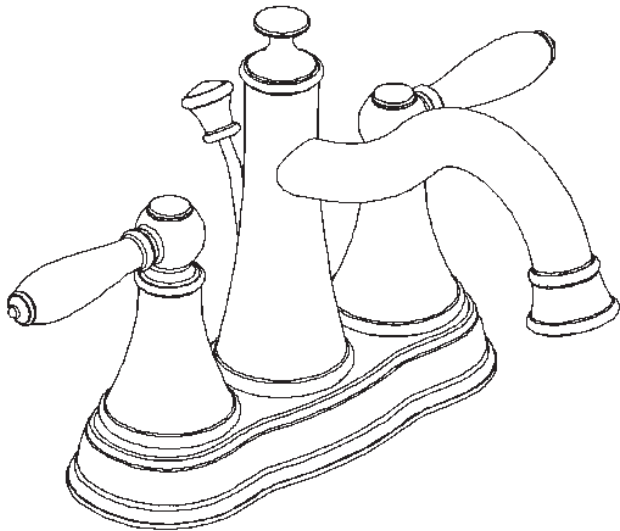


# SPEAKMAN ALEXANDRIA™

## 4" Centerset Faucet SB-1111

SPECIFICATION



### FEATURES:

- Lead-free brass construction
- ¼ turn ceramic cartridge
- 1.5 gpm flow rate
- Traditional style
- Includes drain assembly

### COMPLIANCE:

- Certified to ASME A112.18.1/CSA B125.1 and NSF61 standards
- CA AB 1953 certified



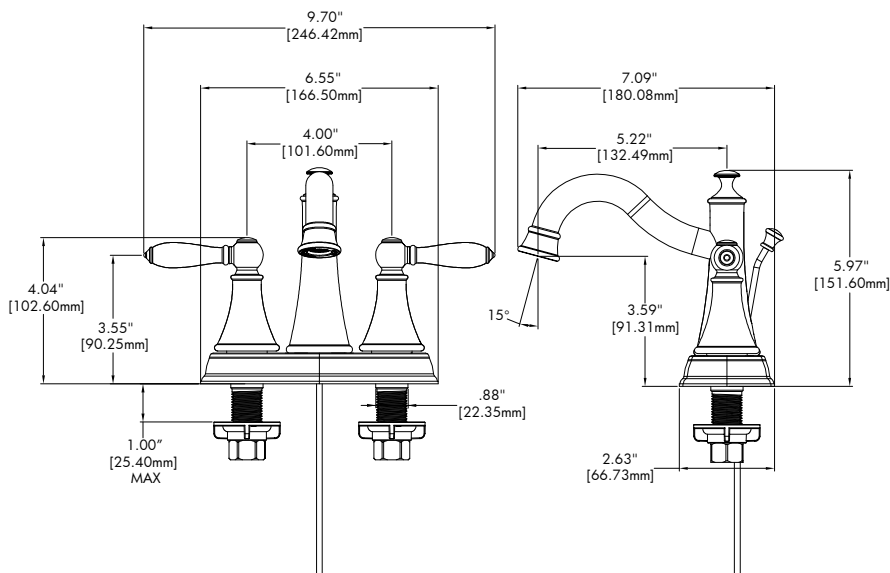
### AVAILABLE FINISHES:

ADD SUFFIX TO MODEL #

- Polished Chrome (standard)
- Brushed Nickel  -BN

### WARRANTY:

- 1 year limited



NOTE: 1. All dimensions are in inches (millimeters) unless otherwise specified and are subject to change without notice.

THIS SPACE FOR ARCHITECT/ENGINEER APPROVAL.

# SPEAKMAN®

400 ANCHOR MILL ROAD | NEW CASTLE, DE 19720  
P: 800-537-2107 | F: 800-977-2747  
WWW.SPEAKMANCOMPANY.COM



REVISION DATE: SEPT. 2011