

SPEAKMAN COMPANY

SB-1001, SB-1002, SB-1003, SB-1004 Single Lever Basin Faucet Installation, Maintenance & Operation Instructions

DESCRIPTION

Speakman polished chrome plated, NSF compliant, single lever basin faucet. Long-life ceramic cartridge. Brass body construction with metal handle. Water conserving flow control reduces flow to 1.5 GPM/5.7 LPM maximum to meet existing ANSI A112.18.1 Standard. 3/8 compression flexible stainless steel inlet hoses. 1-1/4 pop-up drain.

SPECIFICATIONS

SUPPLY: 3/8 COMPRESSION (9/16-24 THREAD) FLEXIBLE STAINLESS STEEL HOSES(2).

FLOW RATE: 1.5 GPM / 5.7 LPM MAX

SHIPPING WEIGHT: 4.6 LBS. (SB-1001, SB-1002, & SB-1003), 5.8 LBS. (SB-1004)

OPTIONS

◇ BO - 0.5 gpm Flow Regulator	◇ LF - 2.2 gpm Laminar Flow Outlet	◇ AF - 2.2 gpm flow control
----------------------------------	---------------------------------------	--------------------------------

FAUCET INSTALLATION

Note- See the Rough-In drawings on page #2 & #3 for the proper sink/countertop hole & thickness requirements for the various models.

- 1) Holding the basin faucet body assembly, assemble & hand tighten the mounting studs (2). Screw hoses (2) into body of faucet and tighten by hand. Also position the rubber gasket into the faucet body base flange counterbore. Make sure flange is screwed tight into body or extension piece*.
- 2) Place the hoses of the faucet, one at a time, through the hole of the sink/countertop. Carefully place faucet on the sink/countertop with the faucet facing forward making sure the rubber gasket is still positioned properly. Working from under the sink, slip rubber washer and metal washer onto the mounting studs. Screw the hold down nuts onto the mounting studs and hand tighten. With the faucet pushed all the way forward towards the bowl & positioned properly, wrench tighten the faucet hold down nut, using a small adjustable wrench or 10 mm open-end wrench.
- 3) Hand tighten water supply hoses (2) to the supply stops (2). Wrench tighten supply hose connections.
- 4) Install the drain assembly. (See separate drain instructions below)
- 5) Remove the outlet device from the faucet. Turn water supplies (2) on and flush out both sides of faucet. Install outlet device and check all connections for leaks.

*SB-1004 faucet has an extension piece. Make sure extension is screwed tight into body.

DRAIN INSTALLATION

- 1) Remove horizontal rod from drain. Unscrew guide plug from drain. Remove lift plug, lock nut, plastic washer, lower rubber washer, and upper rubber washer from guide plug.
- 2) Apply plumber's putty around underside of flange on guide plug. NOTE: Upper rubber washer can be used in place of plumber's putty.
- 3) Insert guide plug through drain hole in sink and assemble lower rubber washer, plastic washer and locknut. Hand tighten locknut.
- 4) Apply pipe dope or thread sealant to the guide plug threads. Assemble tee/tube assembly to guide plug assembly and tighten. Position ball rod hole so it faces back of lavatory and hold in place while wrench tightening guide plug locknut.
- 5) Insert lift plug assembly into guide plug hole. From under sink, insert rubber ball washer, then ball rod into ball rod hole. (Make sure rod is in hole of lift plug.) Slip plastic ball washer and ball rod nut onto ball rod and tighten.
- 6) Insert lift rod through slot in faucet. From under sink loosen the screws (2) on the lift lever swivel. Slip lift rod through hole in the lift lever swivel. Position the swivel on the horizontal rod so the lift rod is vertical and tighten screw. Adjust lift rod so that the lift knob is contacting the bottom of the slot when the drain is in the full open position. Tighten screw onto lift rod.
- 7) Remove tailpiece, apply pipe dope or thread sealant to threads and tighten tailpiece into drain assembly and install trap. Check drainage system for leaks.

SPEAKMAN®

PO Box 191 Wilmington, DE 19899

Phone: 800-537-2107 Fax: 800-977-2747

Visit us on the web at www.speakmancompany.com

06/11
92-3253-R1

OPERATION

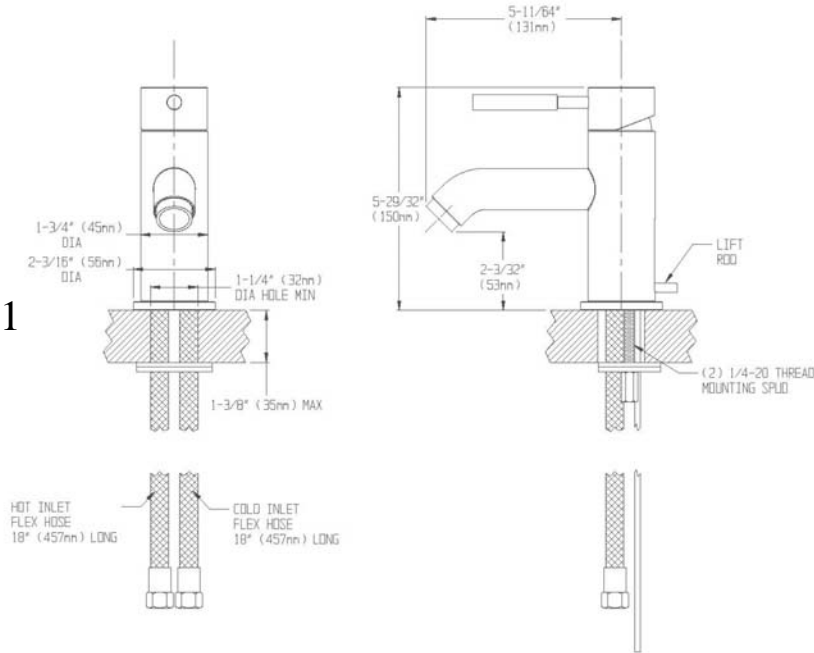
Simply lift the handle up. Rotating the handle will change water temperature.

MAINTENANCE (CARE and CLEANING)

Valve is washerless and require no routine maintenance. The gleaming finish of your SPEAKMAN single lever basin faucet can be cleaned by using mild soap and warm water. Dry immediately with a soft, clean cloth for best results.

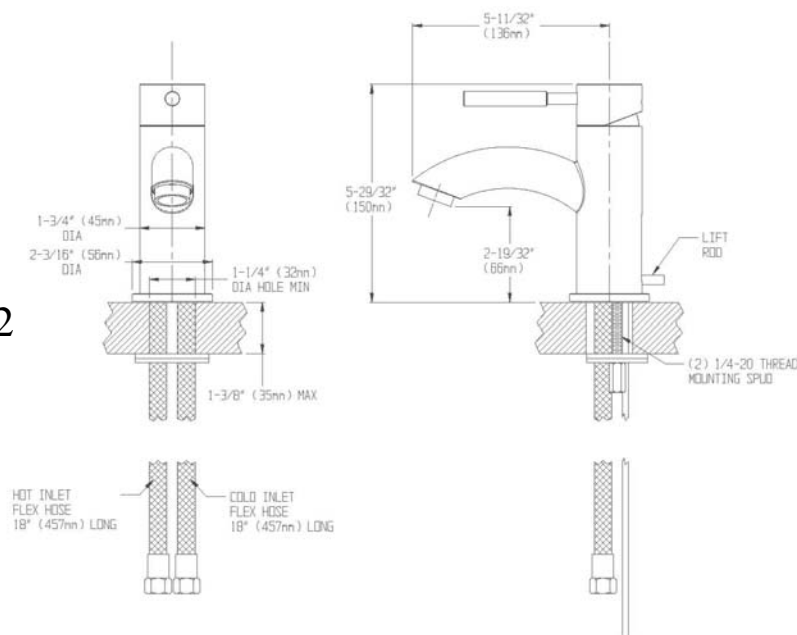
ROUGH-IN MEASUREMENTS

SB-1001



NOTE:
1) ALL DIMENSIONS ARE IN INCHES (MILLIMETERS) UNLESS OTHERWISE SPECIFIED AND ARE SUBJECT TO CHANGE WITHOUT NOTICE.
2) FLEX HOSES HAVE 3/8 COMPRESSION FEMALE THREADED CONNECTIONS.

SB-1002



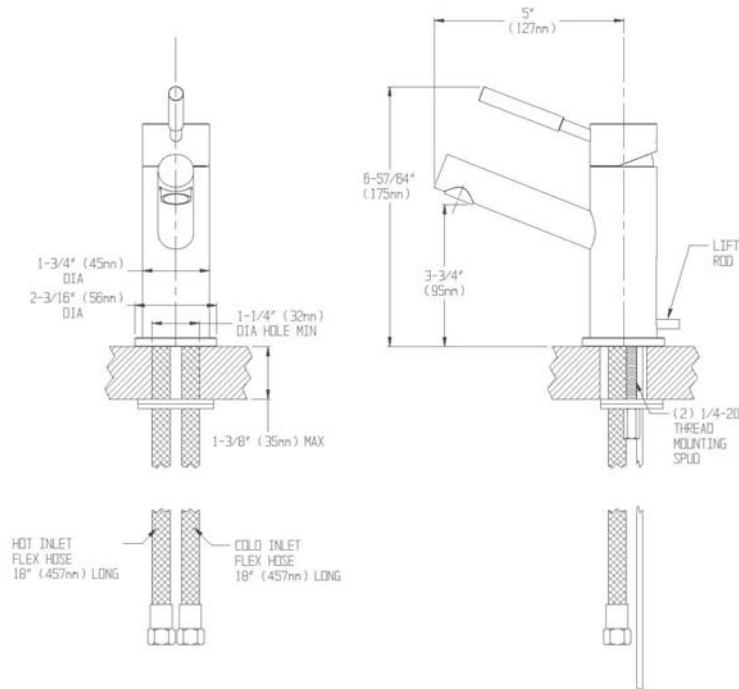
NOTE:
1) ALL DIMENSIONS ARE IN INCHES (MILLIMETERS) UNLESS OTHERWISE SPECIFIED AND ARE SUBJECT TO CHANGE WITHOUT NOTICE.
2) FLEX HOSES HAVE 3/8 COMPRESSION FEMALE THREADED CONNECTIONS.

SPEAKMAN®

PO Box 191 Wilmington, DE 19899 Phone: 800-537-2107 Fax: 800-977-2747
Visit us on the web at www.speakmancompany.com

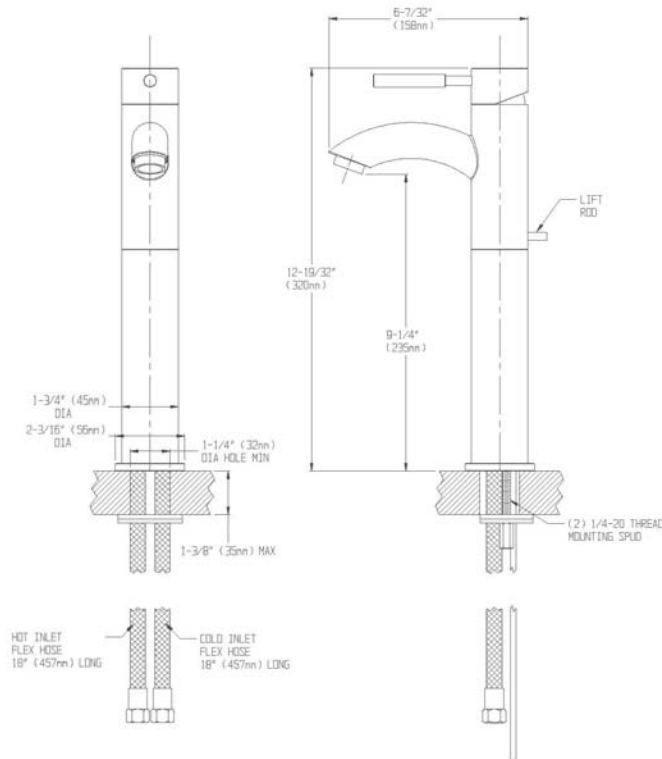
06/11
92-3253-R1

SB-1003



NOTE:
 1) ALL DIMENSIONS ARE IN INCHES (MILLIMETERS) UNLESS OTHERWISE SPECIFIED AND ARE SUBJECT TO CHANGE WITHOUT NOTICE.
 2) FLEX HOSES HAVE 3/8 COMPRESSION FEMALE THREADED CONNECTIONS.

SB-1004



NOTE:
 1) ALL DIMENSIONS ARE IN INCHES (MILLIMETERS) UNLESS OTHERWISE SPECIFIED AND ARE SUBJECT TO CHANGE WITHOUT NOTICE.
 2) FLEX HOSES HAVE 3/8 COMPRESSION FEMALE THREADED CONNECTIONS.

REPAIR / REPLACEMENT PARTS

ITEM NUMBER	PART OR GROUP NUMBER	DESCRIPTION
1	RPG05-0877	CARTRIDGE AND RETAINING NUT
2	RPG05-0837-PC	1.5 GPM 13/16-27AERATOR ASSEMBLY (SB-1003)
3	RPG05-0838-PC	1.5 GPM 15/16-27 VR AERATOR (SB-1001, SB-1002, SB-1004)
5	RPG04-0390	LEVER HANDLE, SCREW, & INDEX (SB-1001, SB-1002, SB-1004)
6	RPG04-0391	LEVER HANDLE, SCREW, & INDEX (SB-1003)
7	RPG05-0878	MOUNTING HARDWARE & GASKET
8	RPG63-0081	HOSES (2)

SPEAKMAN®

PO Box 191 Wilmington, DE 19899

Phone: 800-537-2107 Fax: 800-977-2747

Visit us on the web at www.speakmancompany.com

06/11
 92-3253-R1