

SENSORFLO®

AC Powered Lavatory Faucet with Above-Counter Mixer

S-9812



GENERAL SPECIFICATION

Polished chrome plated solid brass spout. Solenoid with built-in filter. UL/CSA approved transformer 120 VAC to 12 VDC with waterproof connectors. 120-second time out feature. Water conserving vandal-resistant flow control reduces flow to 2.2 gpm/8.4 lpm. To Meet existing ASME A112.18.1/CSA B125.1 standard.

NOTE: Stainless steel flexible supply hose(s), 3/8" compression, to supply stop(s) not included, see options below.

S-9812

Gooseneck faucet with 4" deck plate.

S-9822

Gooseneck faucet with 8" deck plate.

OPTIONS

| SUFFIX | DESCRIPTION |
|-------------------------------|---|
| <input type="checkbox"/> ADA | ADA handle |
| <input type="checkbox"/> BO | 0.5 gpm flow control, vandal-resistant |
| <input type="checkbox"/> CA** | No lead for CA AB1953 compliance |
| <input type="checkbox"/> GB | 1.5 gpm flow control, vandal-resistant |
| <input type="checkbox"/> HS | Two (2) stainless steel flexible supply hoses to supply stops |
| <input type="checkbox"/> LF | 2.2 gpm laminar flow control outlet |
| <input type="checkbox"/> LT | Less transformer |
| <input type="checkbox"/> TMV | Under counter thermostatic mixing valve |

S-9822

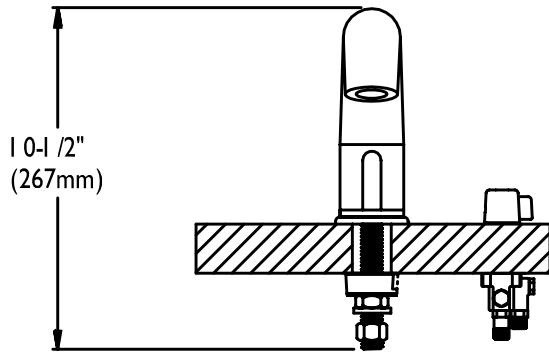


** The "TW" option is not available with the "CA" option

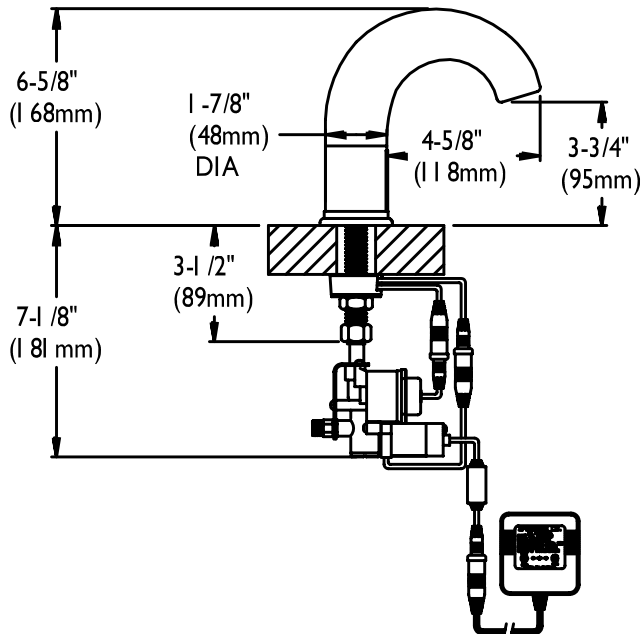
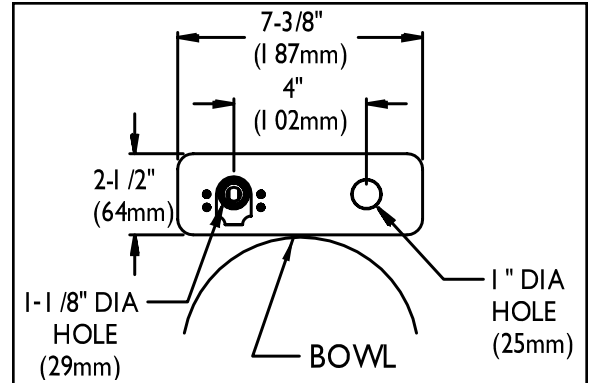
This space for Architect/Engineer approval.



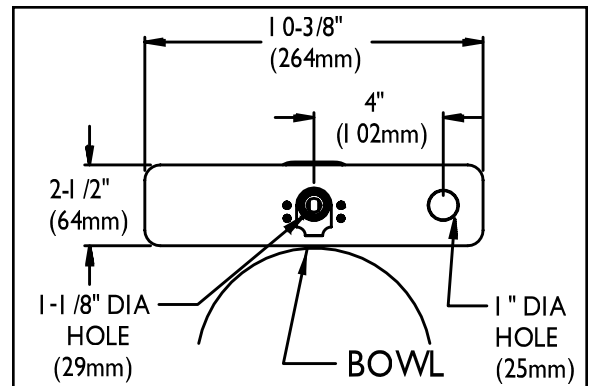
ROUGH-INS



S-9812



S-9822



NOTE: Unless otherwise specified, all inlets and outlets are 1/2" NPTF. Unless otherwise specified, all dimensions are in inches and are subject to change.