

## SENSORFLO®

**S-9712**



**S-9722**



## Battery Powered Lavatory Faucet with Above-Counter Mixer

### GENERAL SPECIFICATION

Polished chrome plated solid brass spout. Solenoid with built-in filter. Two 3-volt DC lithium batteries. Battery module with water-proof connectors. Low battery warning light. 120-second time out feature. Water conserving vandal-resistant flow control reduces flow to 2.2 gpm/8.4 lpm. To meet existing ASME A112.18.1/CSA B125.1 standard. NOTE: stainless steel flexible supply hose(s), 3/8" compression, to supply stop(s) not included, see options below.

- S-9712**  
Gooseneck faucet with 4" deck plate.
- S-9722**  
Gooseneck faucet with 8" deck plate.

### OPTIONS

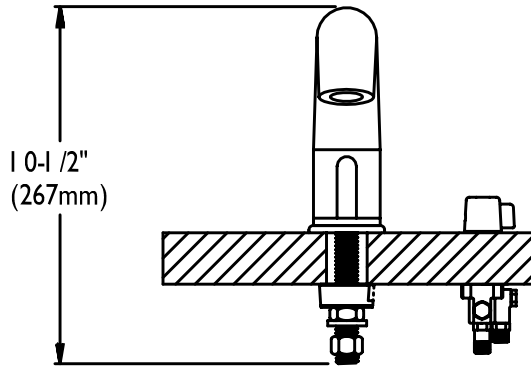
| SUFFIX                        | DESCRIPTION   |
|-------------------------------|---|
| <input type="checkbox"/> ADA  | ADA handle  |
| <input type="checkbox"/> BO   | 0.5 gpm flow control, vandal-resistant                        |
| <input type="checkbox"/> CA** | No lead for CA AB1953 compliance                              |
| <input type="checkbox"/> GB   | 1.5 gpm flow control, vandal-resistant                        |
| <input type="checkbox"/> HS   | Two (2) stainless steel flexible supply hoses to supply stops |
| <input type="checkbox"/> LF   | 2.2 gpm laminar flow control outlet                           |
| <input type="checkbox"/> TMV  | Under counter thermostatic mixing valve                       |

\*\* The "TW" option is not available with the "CA" option

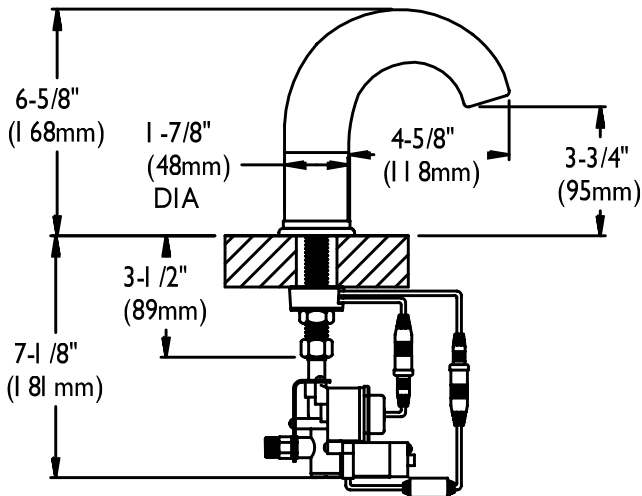
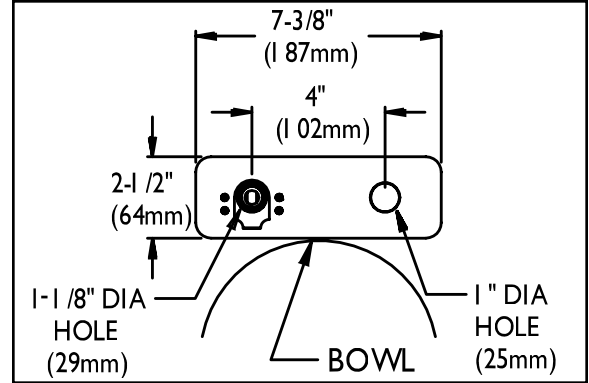
This space for Architect/Engineer approval.



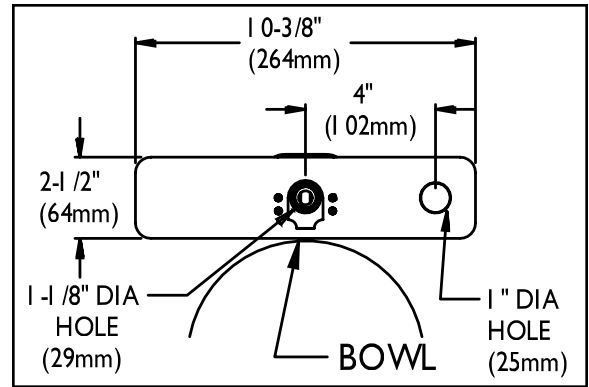
## ROUGH-INS



**S-9712**



**S-9722**



NOTE: Unless otherwise specified, all inlets and outlets are 1/2" NPTF. Unless otherwise specified, all dimensions are in inches and are subject to change.