

SENSORFLO®

Battery Powered Lavatory Faucet

S-9700
S-9701



S-9710
S-9711



S-9720
S-9721



GENERAL SPECIFICATION

Polished chrome plated solid brass spout. Solenoid with built-in filter. Two 3-volt DC lithium batteries. Battery module with water-proof connectors. Low battery warning light. 120-second time out feature. Water conserving vandal-resistant flow control reduces flow to 2.2 gpm/8.4 lpm. To meet existing ASME A112.18.1/CSA B125.1 standard.

NOTE: stainless steel flexible supply hose(s), 3/8" compression, to supply stop(s) not included, see options below.

S-9700

Single basin gooseneck faucet.

S-9701

Single basin gooseneck faucet, under counter mechanical mixer with built-in backflow check valves.

S-9710

Gooseneck faucet with 4" deck plate.

S-9711

Gooseneck faucet with 4" deck plate, under counter mechanical mixer with built-in backflow check valves.

S-9720

Gooseneck faucet with 8" deck plate.

S-9721

Gooseneck faucet with 8" deck plate, under counter mechanical mixer with built-in backflow check valves.

OPTIONS

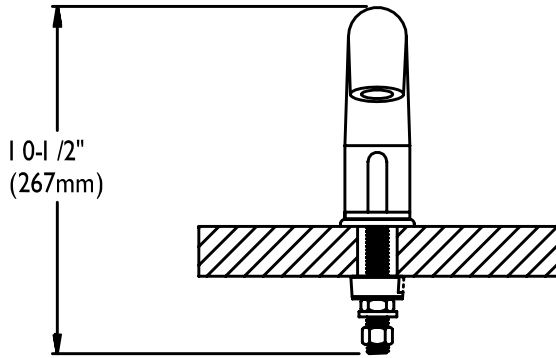
SUFFIX	DESCRIPTION
<input type="checkbox"/> BO	0.5 gpm flow control, vandal-resistant
<input type="checkbox"/> CA**	No lead for CA AB1953 compliance
<input type="checkbox"/> GB	1.5 gpm flow control, vandal-resistant
<input type="checkbox"/> HS	Two (2) stainless steel flexible supply hoses to supply stops
<input type="checkbox"/> HTS	One (1) stainless steel hose for tempered water systems (S-9700, S-9710, & S-9720 only)
<input type="checkbox"/> LF	2.2 gpm laminar flow control outlet
<input type="checkbox"/> TMV	Under counter thermostatic mixing valve (S-9700, S-9710, & S-9720 only)

** The "TMV" option is not available with the "CA" option

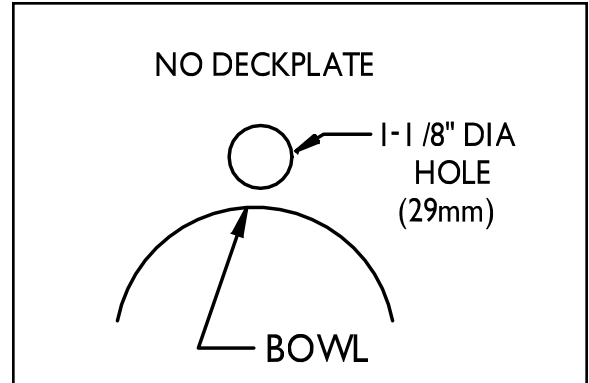
This space for Architect/Engineer approval.



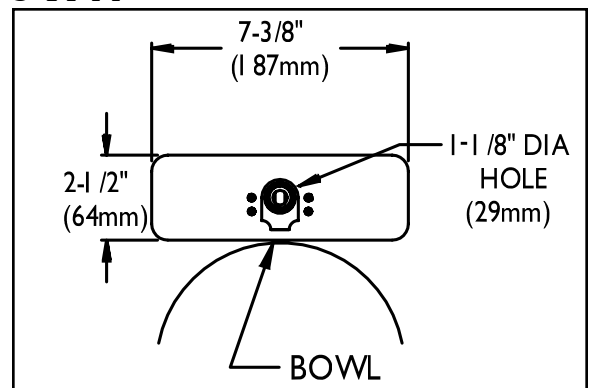
ROUGH-INS



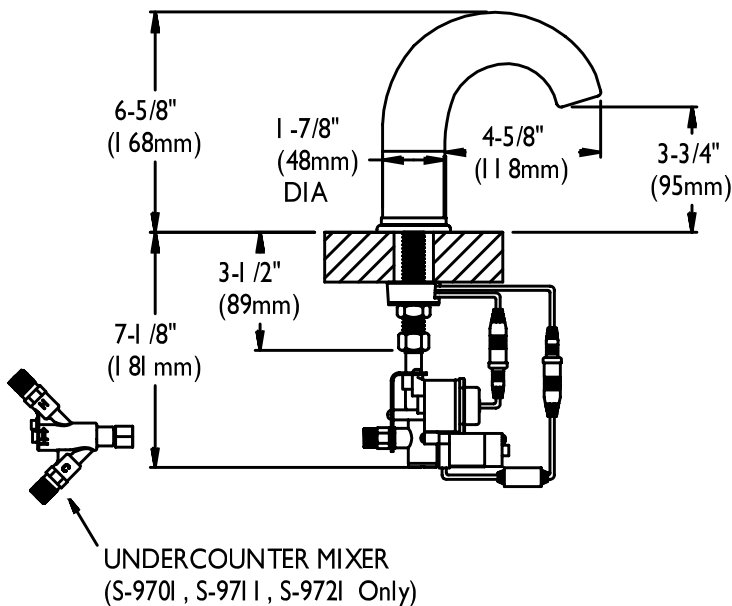
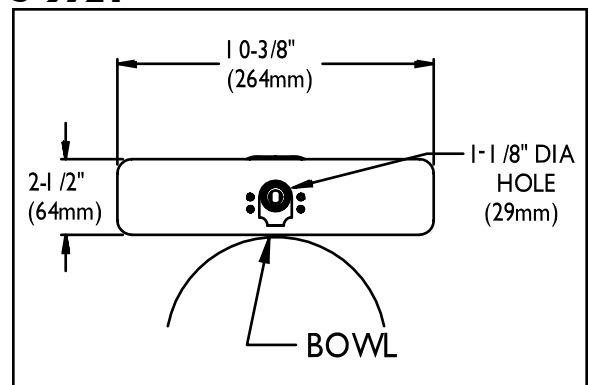
S-9700
S-9701



S-9710
S-9711



S-9720
S-9721



NOTE: Unless otherwise specified, all inlets and outlets are 1/2" NPTF. Unless otherwise specified, all dimensions are in inches and are subject to change.