

SENSORFLO®

S-9712



S-9722



Battery Powered Lavatory Faucet with Above-Counter Mixer

GENERAL SPECIFICATION

Polished chrome plated solid brass spout. Solenoid with built-in filter. Two 3-volt DC lithium batteries. Battery module with water-proof connectors. Low battery warning light. 120-second time out feature. Water conserving vandal-resistant flow control reduces flow to 2.2 gpm/8.4 lpm. To meet existing ASME A112.18.1/CSA B125.1 standard. NOTE: stainless steel flexible supply hose(s), 3/8" compression, to supply stop(s) not included, see options below.

- S-9712**
Gooseneck faucet with 4" deck plate.
- S-9722**
Gooseneck faucet with 8" deck plate.

OPTIONS

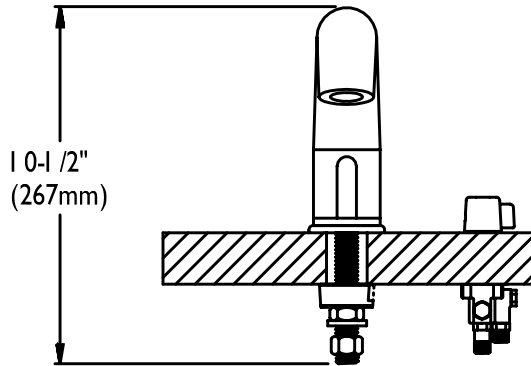
SUFFIX	DESCRIPTION
<input type="checkbox"/> ADA	ADA handle
<input type="checkbox"/> BO	0.5 gpm flow control, vandal-resistant
<input type="checkbox"/> CA**	No lead for CA AB1953 compliance
<input type="checkbox"/> GB	1.5 gpm flow control, vandal-resistant
<input type="checkbox"/> HS	Two (2) stainless steel flexible supply hoses to supply stops
<input type="checkbox"/> LF	2.2 gpm laminar flow control outlet
<input type="checkbox"/> TMV	Under counter thermostatic mixing valve

** The "TW" option is not available with the "CA" option

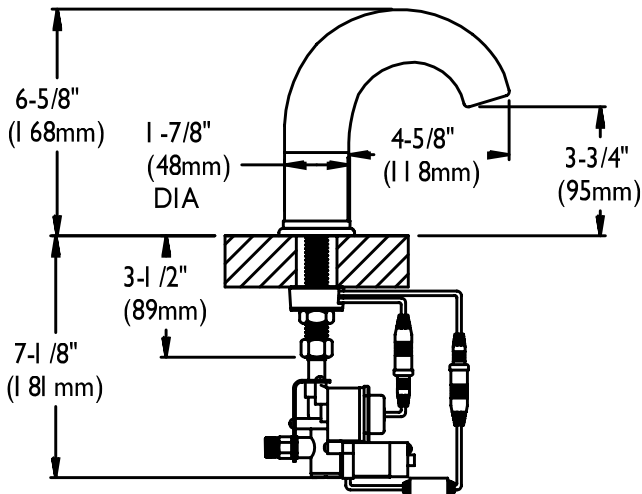
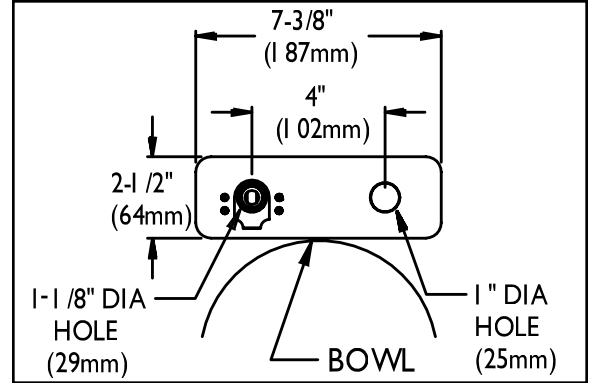
This space for Architect/Engineer approval.



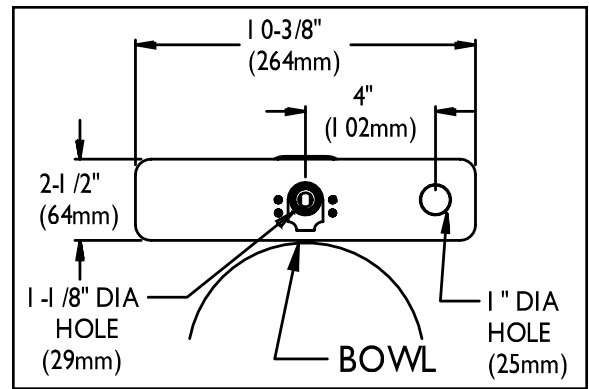
ROUGH-INS



S-9712



S-9722



NOTE: Unless otherwise specified, all inlets and outlets are 1/2" NPTF. Unless otherwise specified, all dimensions are in inches and are subject to change.