

## SENSORFLO®

**S-9212**



**S-9222**



## AC Powered Gooseneck Lavatory Faucet with Above-Counter Mixer

### GENERAL SPECIFICATION

Polished chrome plated. Brass housing and brass spout. Solenoid with built-in filter. UL/CSA approved transformer 120 VAC to 12 VDC with waterproof connectors. 120-second time out feature. Water conserving vandal-resistant flow control reduces flow to 2.2 gpm/8.4 lpm. To Meet existing ASME A112.18.1/CSA B125.1 standard. NOTE: Stainless steel flexible supply hose(s), 3/8" compression, to supply stop(s) not included, see options below.

**S-9212**

Gooseneck faucet with 4" deck plate.

**S-9222**

Gooseneck faucet with 8" deck plate.

### OPTIONS

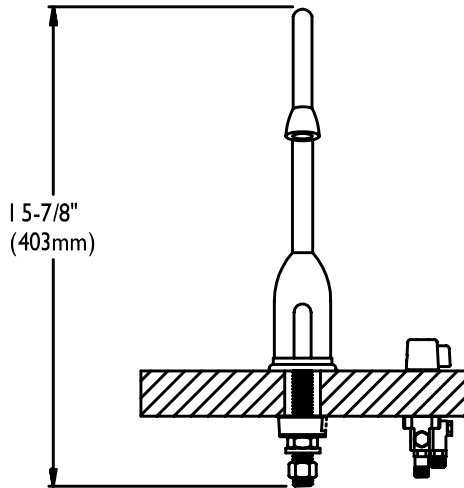
| SUFFIX                        | DESCRIPTION   |
|-------------------------------|---|
| <input type="checkbox"/> ADA  | ADA handle  |
| <input type="checkbox"/> CA** | No lead for CA AB1953 compliance                              |
| <input type="checkbox"/> BO   | 0.5 gpm flow control, vandal-resistant                        |
| <input type="checkbox"/> FC   | 2.06 gpm laminar flow control, plain end spout                |
| <input type="checkbox"/> GB   | 1.5 gpm flow control, vandal-resistant                        |
| <input type="checkbox"/> HS   | Two (2) stainless steel flexible supply hoses to supply stops |
| <input type="checkbox"/> LF   | 2.2 gpm laminar flow control outlet                           |
| <input type="checkbox"/> LT   | Less transformer  |
| <input type="checkbox"/> TMV  | Under counter thermostatic mixing valve                       |

\*\* The following options are not available with the "CA" option:  
 HS (Hose & Spray), SO, TWI, VB6, VB8, ST, SW, & TMV.

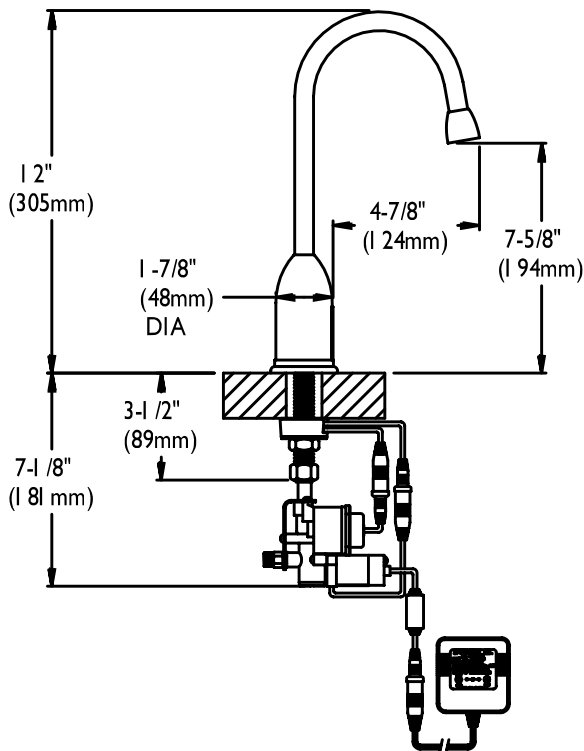
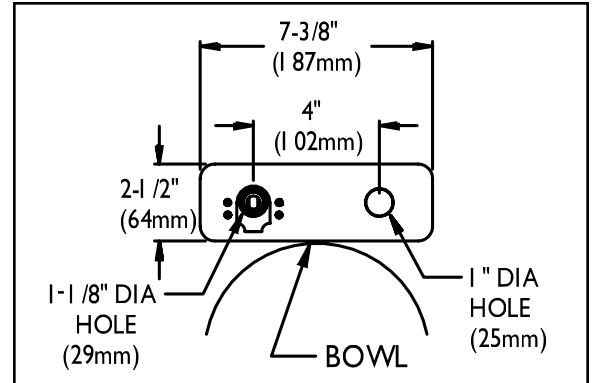
This space for Architect/Engineer approval.



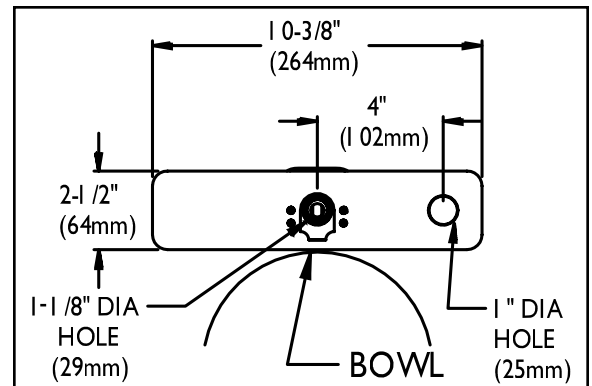
## ROUGH-INS



**S-9212**



**S-9222**



NOTE: Unless otherwise specified, all inlets and outlets are 1/2" NPTF. Unless otherwise specified, all dimensions are in inches and are subject to change.