

## SENSORFLO®

**S-9200**  
**S-9201**



**S-9210**  
**S-9211**



**S-9220**  
**S-9221**



## AC Powered Lavatory Faucet

### GENERAL SPECIFICATION

Polished chrome plated. Brass housing and brass spout. Solenoid with built-in filter. UL/CSA approved transformer 120 VAC to 12 VDC with waterproof connectors. 120-second time out feature. Water conserving vandal-resistant flow control reduces flow to 2.2 gpm/8.4 lpm. To Meet existing ASME A112.18.1/CSA B125.1 standard. NOTE: Stainless steel flexible supply hose(s), 3/8" compression, to supply stop(s) not included, see options below.

**S-9200**

Single basin gooseneck faucet.

**S-9201**

Single basin gooseneck faucet, under counter mechanical mixer with built-in backflow check valves.

**S-9210**

Gooseneck faucet with 4" deck plate.

**S-9211**

Gooseneck faucet with 4" deck plate, under counter mechanical mixer with built-in backflow check valves.

**S-9220**

Gooseneck faucet with 8" deck plate.

**S-9221**

Gooseneck faucet with 8" deck plate, under counter mechanical mixer with built-in backflow check valves.

### OPTIONS

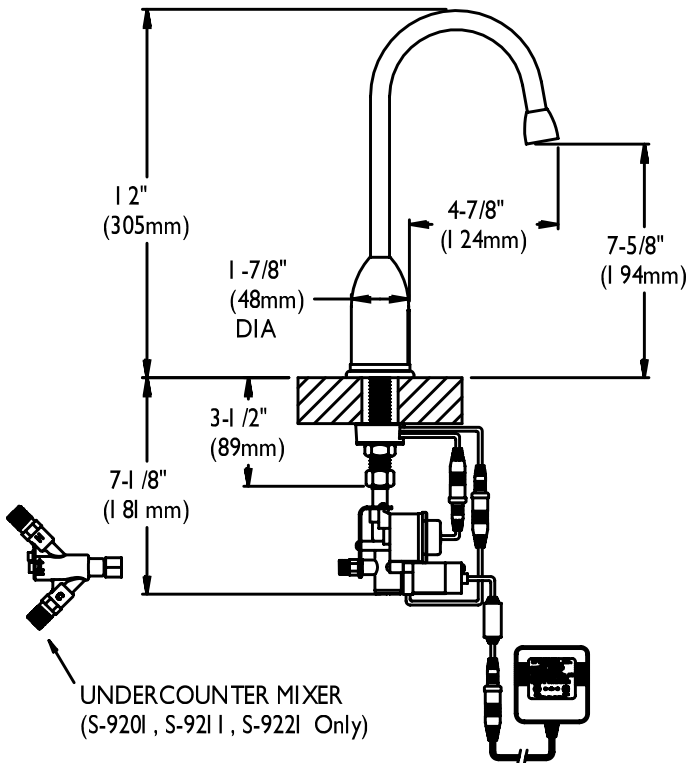
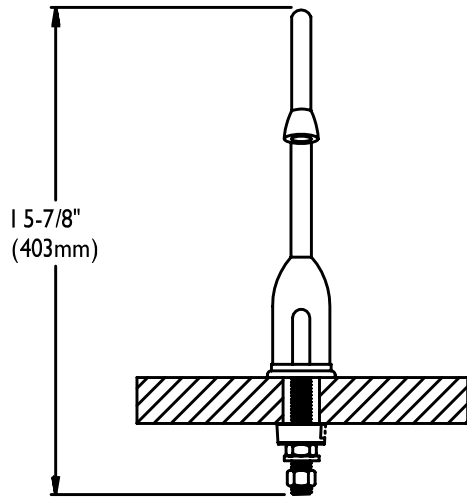
SUFFIX	DESCRIPTION
<input type="checkbox"/> BO	0.5 gpm flow control, vandal-resistant
<input type="checkbox"/> CA**	No lead for CA AB1953 compliance
<input type="checkbox"/> FC	2.06 gpm laminar flow control, plain end spout
<input type="checkbox"/> GB	1.5 gpm flow control, vandal-resistant
<input type="checkbox"/> HS	Two (2) stainless steel flexible supply hoses to supply stops
<input type="checkbox"/> HTS	One (1) stainless steel hose for tempered water systems (S-9200, S-9210, & S-9220 only)
<input type="checkbox"/> LF	2.2 gpm laminar flow control outlet
<input type="checkbox"/> LT	Less transformer
<input type="checkbox"/> TMV	Under counter thermostatic mixing valve (S-9200, S-9210, & S-9220 only)

\*\* The following options are not available with the "CA" option: HS (Hose & Spray), SO, TVI, VB6, VB8, ST, SW, & TMV.

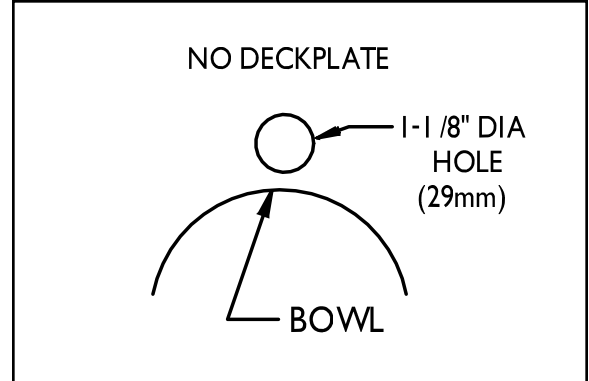
This space for Architect/Engineer approval.



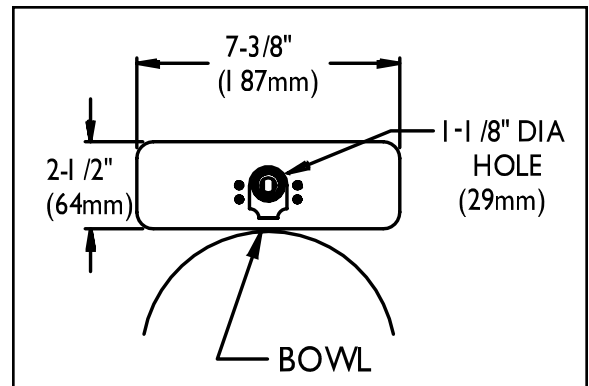
## ROUGH-INS



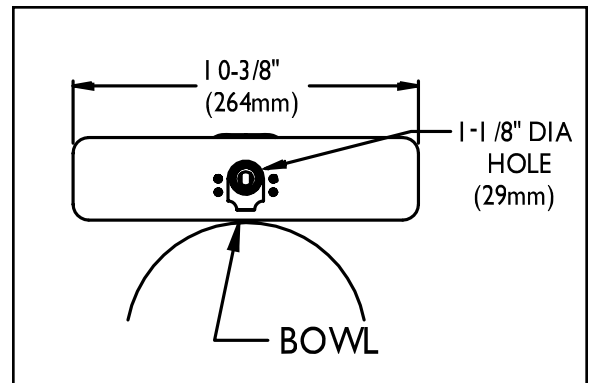
**S-9200**  
**S-9201**



**S-9210**  
**S-9211**



**S-9220**  
**S-9221**



NOTE: Unless otherwise specified, all inlets and outlets are 1/2" NPTF. Unless otherwise specified, all dimensions are in inches and are subject to change.