

## SENSORFLO®

**S-9117**  
**S-9118**



**S-9127**  
**S-9128**



## Battery Powered Manual Override Gooseneck Lavatory Faucet

### GENERAL SPECIFICATION

Polished chrome plated. Brass housing and brass spout. Solenoid with built-in filter. Two 3-volt DC lithium batteries. Battery module with water-proof connectors. Low battery warning light. 120-second time out feature. Water conserving vandal-resistant flow control reduces flow to 2.2 gpm/8.4 lpm. To meet existing ASME A112.18.1/CSA B125.1 standard.

NOTE: stainless steel flexible supply hose(s), 3/8" compression, to supply stop(s) not included, see options below.

**S-9117**

Gooseneck faucet with 4" deck plate.

**S-9118**

Gooseneck faucet with 4" deck plate, under counter mechanical mixer with built-in backflow check valves.

**S-9127**

Gooseneck faucet with 8" deck plate.

**S-9128**

Gooseneck faucet with 8" deck plate, under counter mechanical mixer with built-in backflow check valves.

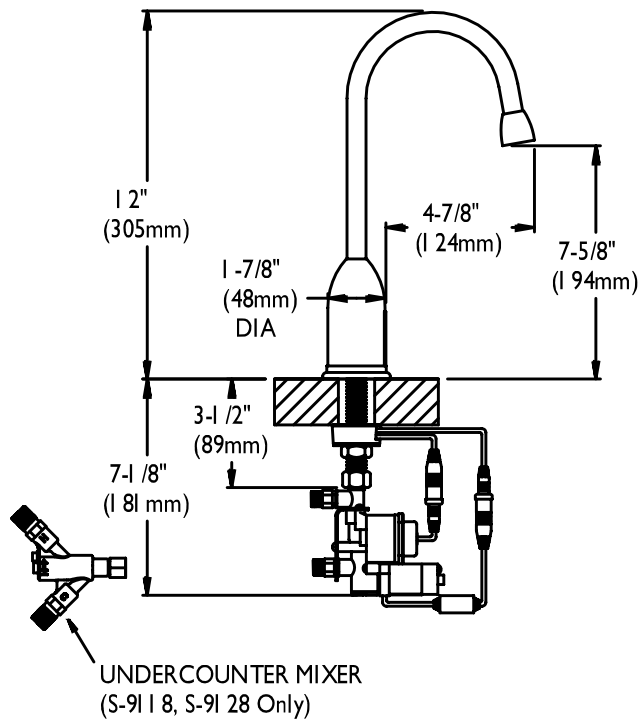
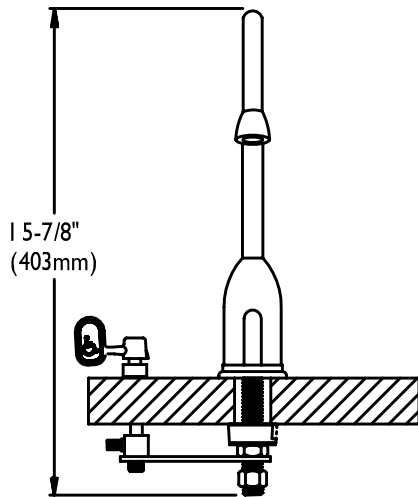
### OPTIONS

SUFFIX	DESCRIPTION
<input type="checkbox"/> BO	0.5 gpm flow control, vandal-resistant
<input type="checkbox"/> GB	1.5 gpm flow control, vandal-resistant
<input type="checkbox"/> FC	2.06 gpm laminar flow control, plain end spout
<input type="checkbox"/> HS	Two (2) stainless steel flexible supply hoses to supply stops
<input type="checkbox"/> HTS	One (1) stainless steel hose for tempered water systems (S-9117 & S-9127 only)
<input type="checkbox"/> LF	2.2 gpm laminar flow control outlet
<input type="checkbox"/> TMV	Under counter thermostatic mixing valve (S-9117 & S-9127 only)

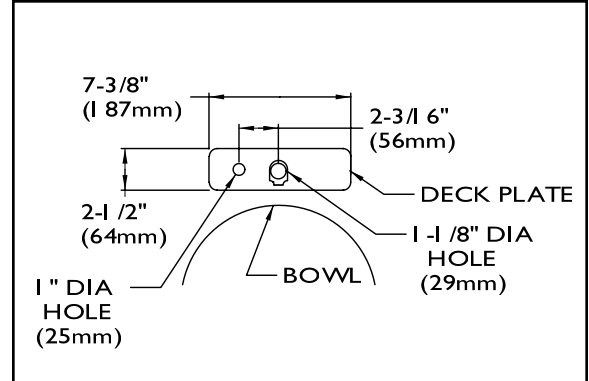
This space for Architect/Engineer approval.



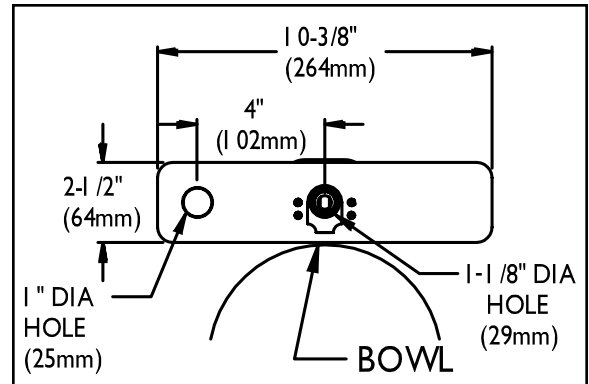
## ROUGH-INS



### S-9117 S-9118



### S-9127 S-9128



NOTE: Unless otherwise specified, all inlets and outlets are 1/2" NPTF. Unless otherwise specified, all dimensions are in inches and are subject to change.