

SENSORFLO®

S-9010
S-9020



Battery or AC Powered 4" Lavatory Faucet

GENERAL SPECIFICATION

Designed for maximum vandal-resistance and easy maintenance. All components are housed above the counter, inside the faucet housing. Integral hot and cold mechanical mixing valves. Hot and cold check valves and filters. Pre-assembled for simple installation. All maintenance performed above the counter. All cast metal housing. Aerator fully recessed and vandal-resistant. 0.5 gpm/1.89 lpm and 2.2 gpm/8.41 pm flow controls included with each faucet. To meet existing ASME A112.18.1/CSA B125.1 standard. Automatic shut-off after 60 seconds. Cap provided for tempered water installation.

S-9010

Battery powered. Two (2) 3-volt Lithium batteries provide extended battery life. Low battery warning light with 10% life remaining. 1/2 NPSM male threaded shanks (2).

S-9020

AC powered. Metal jacket for AC transformer wire. AC transformers UL/CSA approved 120 VAC. 3/8" compression male threaded connectors.

OPTIONS

SUFFIX	DESCRIPTION
<input type="checkbox"/> CA**	No lead for CA AB1953 compliance
<input type="checkbox"/> GB	1.5 gpm flow control, vandal-resistant
<input type="checkbox"/> HS	Two (2) stainless steel flexible supply hoses
<input type="checkbox"/> HTS	One (1) stainless steel hose for tempered water systems
<input type="checkbox"/> LF	2.2 gpm laminar flow control outlet
<input type="checkbox"/> LT	Less transformer (S-9020 only)
<input type="checkbox"/> TMV	Under counter thermostatic mixing valve
<input type="checkbox"/> VRS	Vandal-resistant screws for removable cover and custom wrench

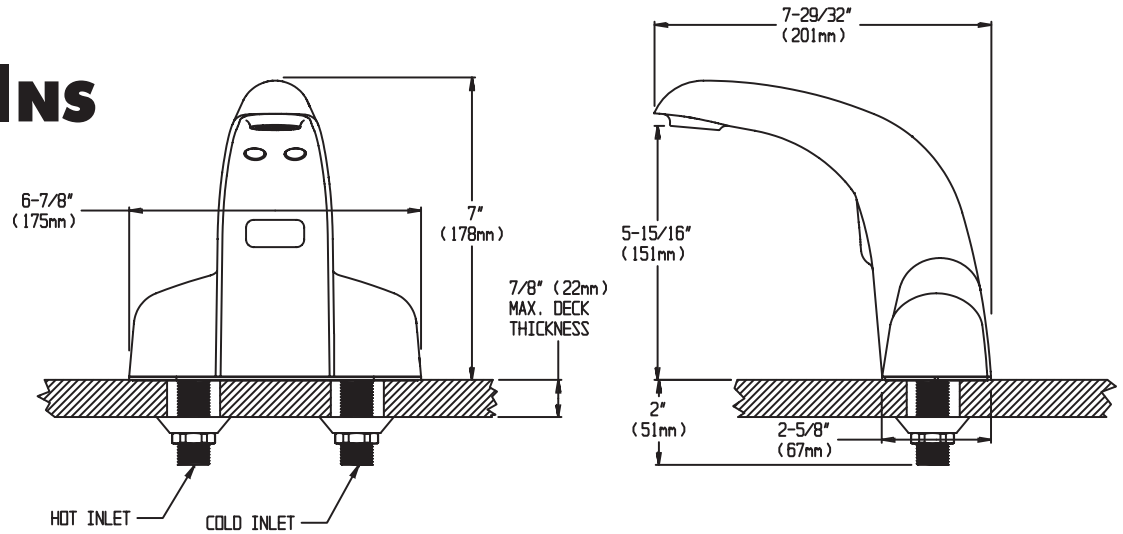
** The following options are not available with the "CA" option:
 HS (Hose & Spray), SO, TWI, VB6, VB8, ST, SW, & TMV.

This space for Architect/Engineer approval.



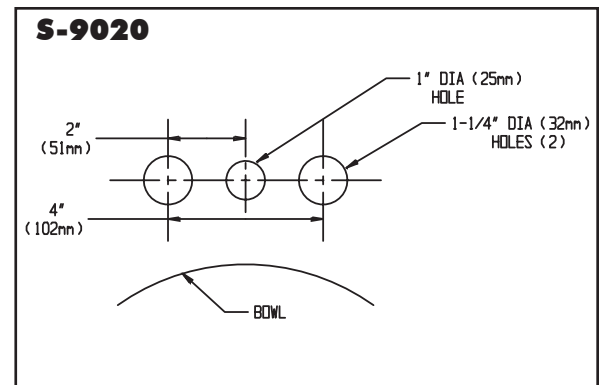
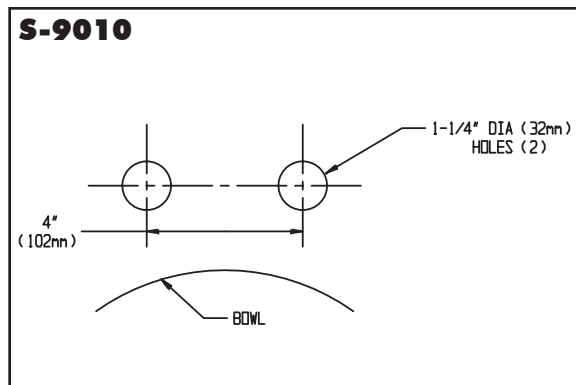
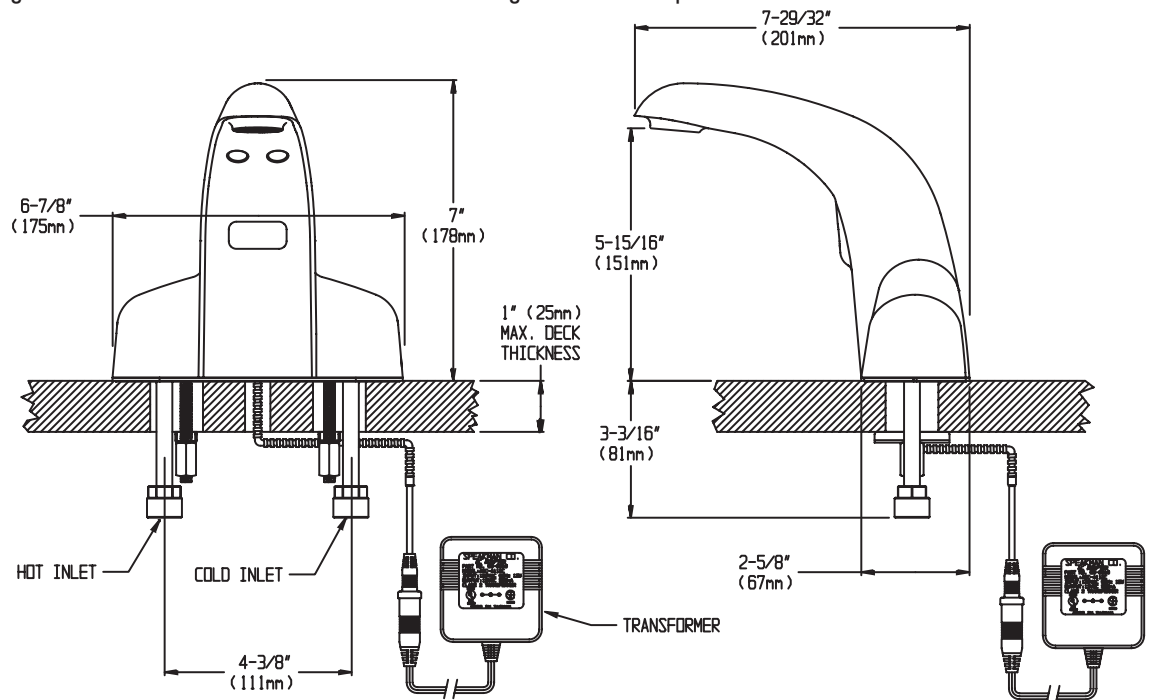
Rough-Ins

S-9010



NOTE: Unless otherwise specified, all inlets are sized for either coupling or sweat connections. Unless otherwise specified, all dimensions are in inches and are subject to change without notice. Position faucet as close to the edge of the sink as possible.

S-9020



NOTE: Unless otherwise specified, all inlets are 3/8 compression with male threads. Unless otherwise specified, all dimensions are in inches and are subject to change without notice. Position faucet as close to the edge of the sink as possible.