

## SENSORFLO®

**S-8829**



## AC Powered Manual Override Lavatory Faucet with Above-Counter Mixer

### GENERAL SPECIFICATION

Polished chrome plated. Above counter hot/cold mixer with built-in check valves and temperature limit stop. Ceramic manual override valve activates the faucet for continuous operation in the event of power outage or user preference. Solenoid with built-in filter. Includes hoses needed to make mixer and manual override connections. UL/CSA approved transformer 120 VAC to 12 DC with water proof connectors. Spout consists of all metal chassis and removable cover. Vandal resistant 60-second time out feature. Water conserving vandal-resistant flow control reduces flow to 2.2 gpm/8.4 lpm. To meet existing ASME A112.18.1/CSA B125.1 standard. Two supply hoses not included.

NOTE: Stainless steel flexible supply hoses, 3/8" compression, to supply stops not included, see options below.

**S-8829**

Low profile faucet with 8" deck plate.

### OPTIONS

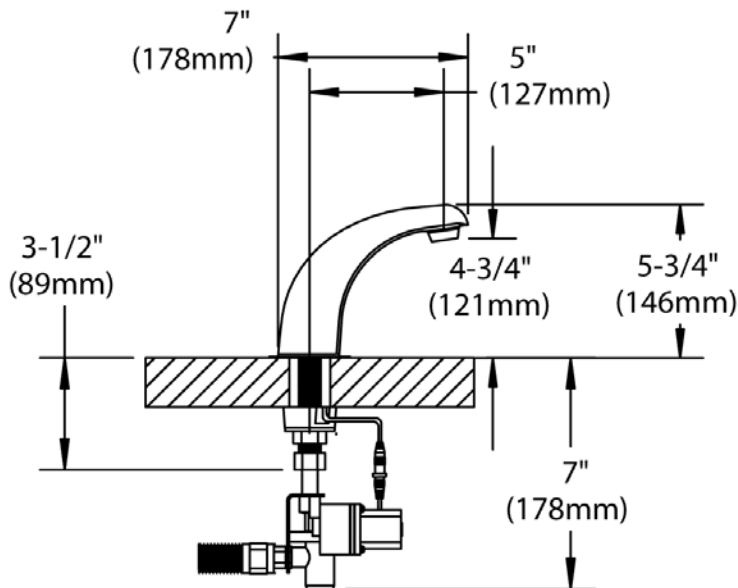
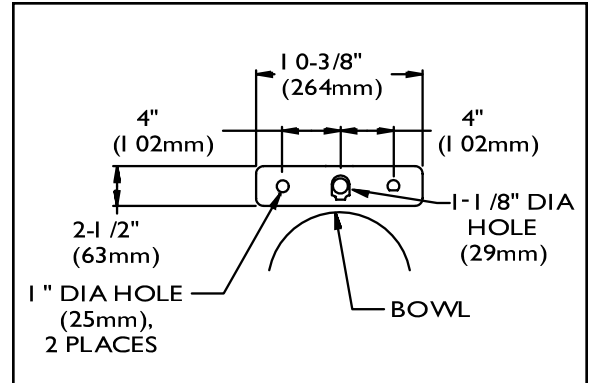
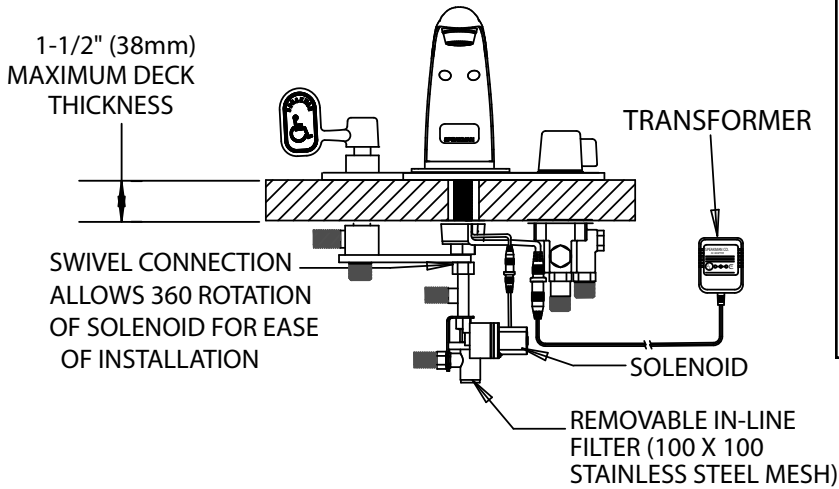
SUFFIX	DESCRIPTION
<input type="checkbox"/> ADA	ADA handle
<input type="checkbox"/> BO	0.5 gpm flow control, vandal-resistant
<input type="checkbox"/> GB	1.5 gpm flow control, vandal-resistant
<input type="checkbox"/> HS	Two (2) stainless steel flexible supply hoses to supply stops
<input type="checkbox"/> LF	2.2 gpm laminar flow control outlet
<input type="checkbox"/> LT	Less transformer
<input type="checkbox"/> TMV	Under counter thermostatic mixing valve
<input type="checkbox"/> VRS	Vandal-resistant screws for removable cover and custom wrench
<input type="checkbox"/> 4WH	4" wrist blade handle on manual override valve

This space for Architect/Engineer approval.



## Rough-Ins

### S-8829



NOTE: Position faucet as close to the edge of the sink as possible. Ensure adequate clearance for wire protector, wires, washers and nut. Unless otherwise specified, all inlets are 3/8 compression with male threads. Unless otherwise specified, all dimensions are in inches and are subject to change without notice.