

SENSORFLO®

AC Powered Lavatory Faucet with Above-Counter Mixer

S-8812



S-8822



GENERAL SPECIFICATION

Polished chrome plated. Above counter hot/cold mixer with built-in check valves and adjustable temperature limit stop. Solenoid with built-in filter. Includes hoses needed to make mixer connections. UL/CSA approved transformer 120 VAC to 12 VDC with waterproof connectors. Spout consists of all metal chassis and removable cover. Vandal-resistant 60-second time out feature. Water conserving vandal-resistant flow control reduces flow to 2.2 gpm/8.4 lpm. To meet existing ASME A112.18.1/CSA B125.1 standard.

NOTE: Stainless steel flexible supply hoses, 3/8" compression, to supply stops not included, see options below.

S-8812

Low profile faucet with 4" deck plate.

S-8822

Low profile faucet with 8" deck plate.

OPTIONS

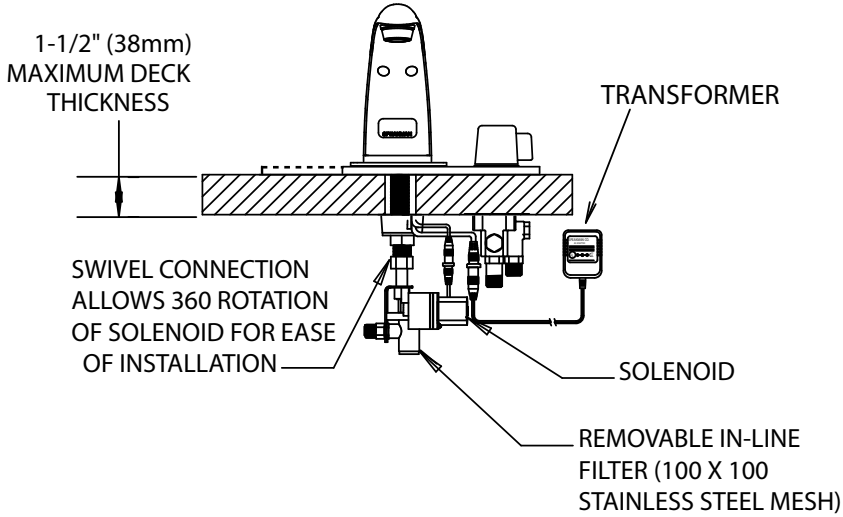
SUFFIX	DESCRIPTION
<input type="checkbox"/> ADA	ADA handle
<input type="checkbox"/> BO	0.5 gpm flow control, vandal-resistant
<input type="checkbox"/> CA**	No lead for CA AB1953 compliance
<input type="checkbox"/> GB	1.5 gpm flow control, vandal-resistant
<input type="checkbox"/> HS	Two (2) stainless steel flexible supply hoses to supply stops
<input type="checkbox"/> LF	2.2 gpm laminar flow control outlet
<input type="checkbox"/> LT	Less transformer
<input type="checkbox"/> TMV	Under counter thermostatic mixing valve
<input type="checkbox"/> VRS	Vandal-resistant screws for removable cover and custom wrench

** The following options are not available with the "CA" option:
 HS (Hose & Spray), SO, TVI, VB6, VB8, ST, SW, & TMV.

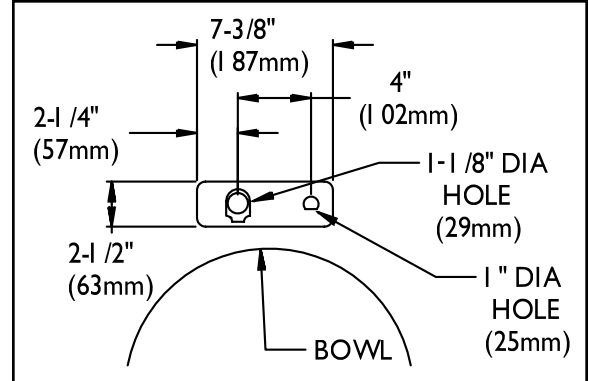
This space for Architect/Engineer approval.



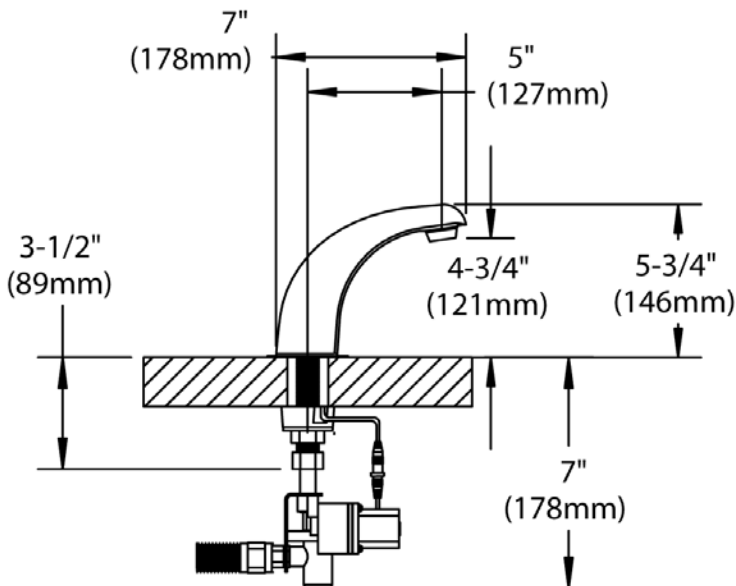
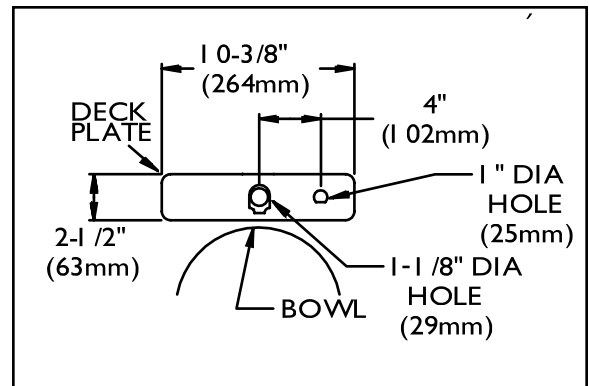
ROUGH-INS



S-8812



S-8822



NOTE: Position faucet as close to the edge of the sink as possible. Ensure adequate clearance for wire protector, wires, washers and nut. Unless otherwise specified, all inlets are 3/8" compression with male threads. Unless otherwise specified, all dimensions are in inches and are subject to change without notice.