

## **SPEAKMAN COMPANY**

### **S-8821 Installation, Maintenance & Operation Instructions** **SENSORFLO® AC/ELECTRIC POWERED LOW SPOUT LAVATORY FAUCET**

#### **DESCRIPTION**

Speakman SENSORFLO faucet. AC/Electric powered low spout lavatory sensor faucet with 8" deck plate and under counter mixing valve with built-in backflow check valves. All metal spout assembly, consists of polished chrome plated removable cover and black powder coated chassis. Sensor/electronics module housed above counter in the faucet body. Sensor module powered by 120 Volt AC transformer. Solenoid with built-in filter. Vandal resistant 60 second time out feature. Water conserving vandal resistant recessed aerator reduces water flow to 2.2 GPM / 8.4 LPM to meet requirements of ANSI A112.18.1M for flow rates. ADA compliant. Note: 3/8" compression stainless steel hoses are optional.

#### **SPECIFICATIONS**

TRANSFORMER: 120 VOLT AC  
INLET SUPPLY: 3/8" COMPRESSION WITH MALE THREADS  
FLOW RATE: 2.2 GPM / 8.4 LPM  
SHIPPING WEIGHT: 6.3 LBS

#### **OPTIONS**

BO – Vandal Resistant 0.5 GPM Flow Control	LF – Vandal Resistant Laminar 2.2 GPM Flow Control
HS – 2 Stainless Steel Flexible Hoses for use with Under Counter Mixing Valve	LT - Less Transformer (for use w/ multi-unit transformers)
GB- Vandal Resistant 1.5 GPM Aerator Outlet Device	VRS - Vandal Resistant Screws with Wrench

#### **INSTALLATION**

Install vandal resistant aerator with wrench provided. Ensure gasket is properly seated on bottom of faucet chassis. Insert faucet shank and wire through hole on the center of deck plate. With notch on deck plate center hole facing forward, fasten faucet to deck plate using four (4) screws provided. Tighten two anti-spin mounting nuts to bottom of deck plate and slip rubber gasket onto bottom of deck plate. Carefully feed wires from faucet through deck hole, mounting faucet on fixture. Attach notched wire guard (notched end up) washer and lock nut onto faucet shank and secure faucet to fixture. CAUTION: Sensor module wire must be inside channel of rubber wire guard to keep wire from being pinched or cut when tightening washer and lock nut. Further secure faucet to fixture with the two (2) cup washers and wing nuts (cup washers should face up). Attach outlet of solenoid valve to shank of faucet. Attach under counter mixing valve to inlet of solenoid, attach supplies to mixing valve using 3/8" compression fittings. DRY CONNECTIONS ONLY. Plug AC transformer unit into 120 VAC outlet and connect wire with black plug on faucet to plug on the transformer. Connect yellow wire from faucet to same colored wire on solenoid valve. With drain installed, turn on water and activate the faucet, checking for proper operation and all connections for leaks. Once positive faucet is operating properly adjust temperature of water delivered by rotating the adjusting screw (clockwise for more cold water) on the mixer until the proper mix of hot and cold water is achieved.

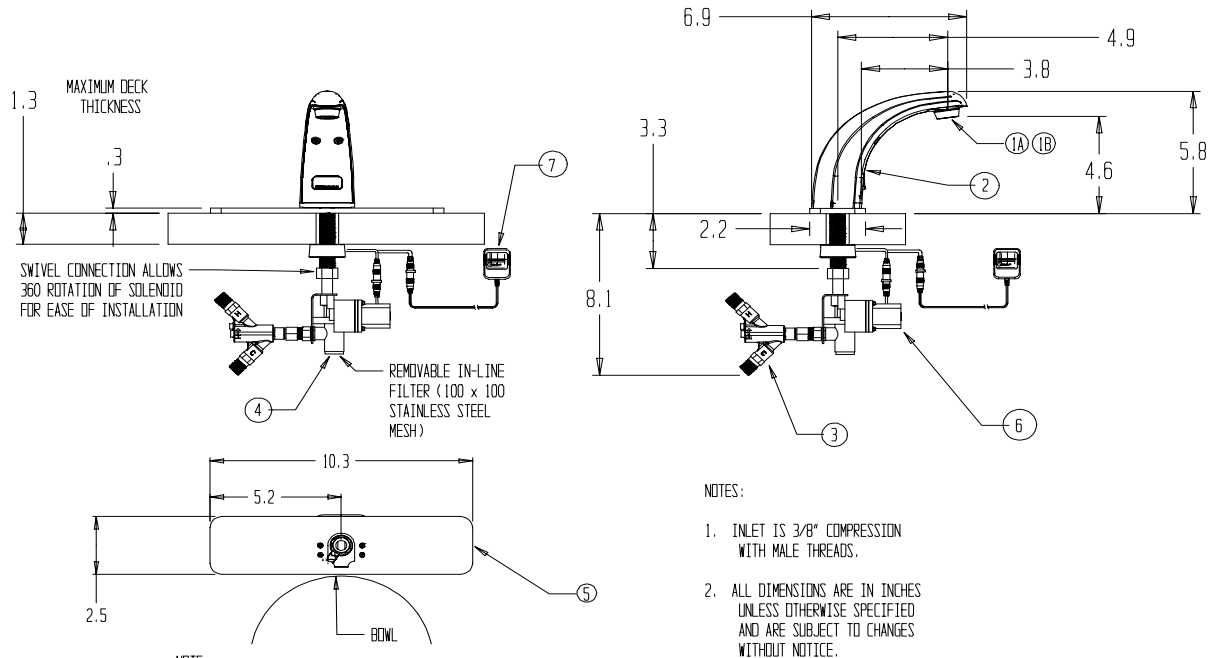
#### **OPERATION**

Speakman SENSORFLO faucets are thoughtfully designed for all in mind. Require no handles to turn, lift or push, water flows only when hands are in the lavatory basin. Built in vandal resistant circuitry shuts off the water after continuous flow of approximately 60 seconds. This feature prevents flooding; water is easily turned on again by placing one's hands under the lavatory spout.

#### **MAINTENANCE (CARE & CLEANING)**

Your SENSORFLO faucet is designed and engineered in accordance with the highest quality and performance standards. With proper care it will provide years of trouble free service. Periodically the faucet will require some minor maintenance to keep it performing at peak performance. Periodically check the solenoid filter for debris. If debris is present clean the filter thoroughly. The polished chrome finish of your faucet should be cleaned using mild soap and warm water. Dry immediately with a soft, clean cloth for best results.

S-8821 SERIES



- NOTES:
1. INLET IS 3/8" COMPRESSION WITH MALE THREADS.
  2. ALL DIMENSIONS ARE IN INCHES UNLESS OTHERWISE SPECIFIED AND ARE SUBJECT TO CHANGES WITHOUT NOTICE.

REPAIR / REPLACEMENT PARTS

ITEM NUMBER	PART OR GROUP NUMBER	DESCRIPTION
1A	RPG05-0674-PC	2.2 GPM AERATOR
1B	RPG38-0128-PC	0.5 GPM FLOW CONTROL
2	RPG10-0068-PC	COVER WITH SCREWS
3	RPG20-1845	UNDER COUNTER MIXER
4	RPG66-0044	SOLENOID FILTER SCREEN
5	RPG66-0107-PC	8" DECK PLATE WITH MOUNTING HARDWARE
6	RPG76-0033	SOLENOID VALVE ASSEMBLY
7	RPG66-0010	120 VAC TRANSFORMER
NOT SHOWN	RPG76-0039	SOLENOID DIAPHRAM & O-RING REPAIR KIT
NOT SHOWN	RPG66-0159	LAVATORY SENSOR MODULE WITH AC ADAPTER



PO Box 191 Wilmington, DE 19899 Phone: 800-537-2107 Fax: 800-977-2747  
 Visit us on the web at [www.speakmancompany.com](http://www.speakmancompany.com)