

SPEAKMAN COMPANY
S-8800 Installation, Maintenance & Operation Instructions
SENSORFLO® AC/ELECTRIC POWERED LOW SPOUT LAVATORY FAUCET

DESCRIPTION

Speakman SENSORFLO faucet. AC/Electric powered low spout lavatory sensor faucet. All metal spout assembly, consists of polished chrome plated removable cover and black powder coated chassis. Sensor/electronics module housed above counter in the faucet body. Sensor module powered by 120 Volt AC transformer. Solenoid with built-in filter. Vandal resistant 60 second time out feature. Water conserving vandal resistant recessed aerator reduces water flow to 2.2 GPM / 8.4 LPM to meet requirements of ANSI A112.18.1M for flow rates. ADA compliant. Note: 3/8" compression stainless steel hoses are optional.

SPECIFICATIONS

TRANSFORMER: 120 VOLT AC
INLET SUPPLY: 3/8" COMPRESSION WITH MALE THREADS
FLOW RATE: 2.2 GPM / 8.4 LPM
SHIPPING WEIGHT: 4.7 LBS

OPTIONS

| | |
|---|---|
| BO – Vandal Resistant 0.5 GPM Flow Control | LT - Less Transformer (for use w/ multi-unit transformers) |
| HS – 3 Stainless Steel Flexible Hoses for use with Tee or Mixer | T – Tee with check valves |
| HTS – 1 Stainless Steel Flexible Hose | TMV – Under-Counter Thermostatic Mixing Valve with check valves |
| LF – Vandal Resistant Laminar 2.2 GPM Flow Control | VRS - Vandal Resistant Screws with Wrench |
| GB- Vandal Resistant 1.5 GPM Aerator Outlet Device | |

INSTALLATION

Install vandal resistant aerator with wrench provided. Ensure gasket is properly seated on bottom of faucet chassis. Carefully feed wires from faucet through deck hole, mounting faucet on fixture. Attach notched wire guard (notched end up) washer and lock nut onto faucet shank and secure faucet to fixture. CAUTION: Sensor module wire must be inside channel of rubber wire guard to keep wire from being pinched or cut when tightening washer and lock nut. Attach outlet of solenoid valve to shank of faucet. Attach supply to solenoid valve using 3/8" compression fittings. DRY CONNECTIONS ONLY. Plug AC transformer unit into 120 VAC outlet and connect wire with black plug on faucet to plug on the transformer. Connect yellow wire from faucet to same colored wire on solenoid valve. With drain installed, turn on water and activate the faucet, checking for proper operation and all connections for leaks.

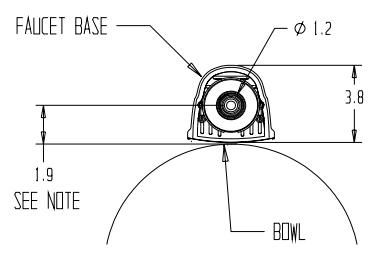
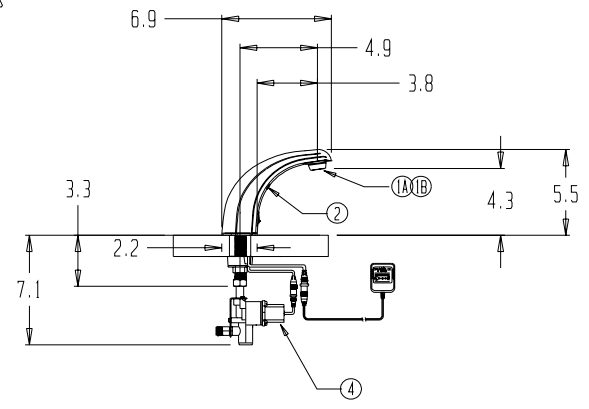
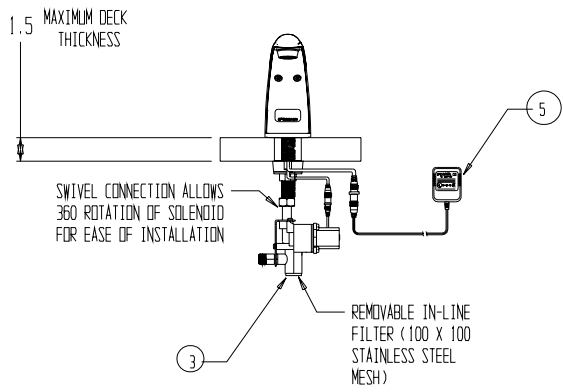
OPERATION

Speakman SENSORFLO faucets are thoughtfully designed for all in mind. Require no handles to turn, lift or push, water flows only when hands are in the lavatory basin. Built in vandal resistant circuitry shuts off the water after continuous flow of approximately 60 seconds. This feature prevents flooding; water is easily turned on again by placing one's hands under the lavatory spout.

MAINTENANCE (CARE & CLEANING)

Your SENSORFLO faucet is designed and engineered in accordance with the highest quality and performance standards. With proper care it will provide years of trouble free service. Periodically the faucet will require some minor maintenance to keep it performing at peak performance. Periodically check the solenoid filter for debris. If debris is present clean the filter thoroughly. The polished chrome finish of your faucet should be cleaned using mild soap and warm water. Dry immediately with a soft, clean cloth for best results.

S-8800 SERIES



NOTES:

1. INLET IS 3/8" COMPRESSION WITH MALE THREADS.
2. ALL DIMENSIONS ARE IN INCHES UNLESS OTHERWISE SPECIFIED AND ARE SUBJECT TO CHANGE WITHOUT NOTICE.

NOTE: *

POSITION FAUCET AS CLOSE TO THE EDGE OF THE SINK AS POSSIBLE. ENSURE ADEQUATE CLEARANCE FOR WIRE PROTECTOR, WIRES, WASHERS, AND NUT.

REPAIR / REPLACEMENT PARTS

| ITEM NUMBER | PART OR GROUP NUMBER | DESCRIPTION |
|-------------|----------------------|--|
| 1A | RPG05-0674-PC | 2.2 GPM AERATOR |
| 1B | RPG38-0128-PC | 0.5 GPM FLOW CONTROL |
| 2 | RPG10-0068-PC | COVER WITH SCREWS |
| 3 | RPG66-0044 | SOLENOID FILTER SCREEN |
| 4 | RPG76-0033 | SOLENOID VALVE ASSEMBLY |
| 5 | RPG66-0010 | 120 VAC TRANSFORMER |
| NOT SHOWN | RPG76-0039 | SOLENOID DIAPHRAM & O-RING REPAIR KIT |
| NOT SHOWN | RPG66-0159 | LAVATORY SENSOR MODULE WITH AC ADAPTER |

SPEAKMAN®

PO Box 191 Wilmington, DE 19899 Phone: 800-537-2107 Fax: 800-977-2747
 Visit us on the web at www.speakmancompany.com