

SENSORFLO®

AC Powered Manual Override Lavatory Faucet

S-8817
S-8818



S-8827
S-8828



GENERAL SPECIFICATION

Polished chrome plated. Ceramic manual override valve activates the faucet for continuous operation in the event of battery drain or user preference. Solenoid with built-in filter. Includes hoses needed to make manual override connections. UL/CSA approved transformer 120 VAC to 12 DC with waterproof connectors. Spout consists of all metal chassis and removable cover. Vandal-resistant 60-second time out feature. Water conserving vandal-resistant flow control reduces flow to 2.2 gpm/8.4 lpm. To meet existing ASME A112.18.1/CSA B125.1 standard.

NOTE: Stainless steel flexible supply hose(s), 3/8" compression, to supply stop(s) not included, see options below.

S-8817

Low profile faucet with 4" deck plate.

S-8818

Low profile faucet with 4" deck plate, under counter mechanical mixer with built-in backflow check valves.

S-8827

Low profile faucet with 8" deck plate.

S-8828

Low profile faucet with 8" deck plate, under counter mechanical mixer with built-in backflow check valves.

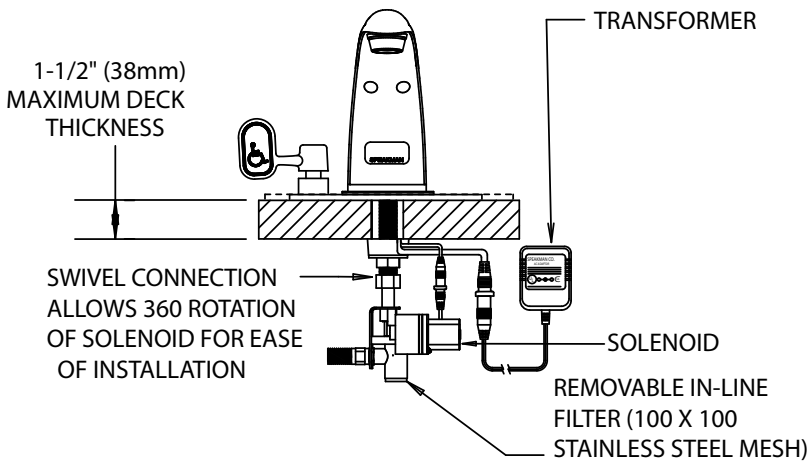
OPTIONS

SUFFIX	DESCRIPTION
<input type="checkbox"/> BO	0.5 gpm flow control, vandal-resistant
<input type="checkbox"/> GB	1.5 gpm flow control, vandal-resistant
<input type="checkbox"/> HS	Two (2) stainless steel flexible supply hoses to supply stops
<input type="checkbox"/> HTS	One (1) stainless steel hose for tempered water systems (S-8817, S-8827 only)
<input type="checkbox"/> LF	2.2 gpm laminar flow control outlet
<input type="checkbox"/> LT	Less Transformer
<input type="checkbox"/> TMV	Under counter thermostatic mixing valve (S-8817, S-8827 only)
<input type="checkbox"/> VRS	Vandal-resistant screws for removable cover and custom wrench

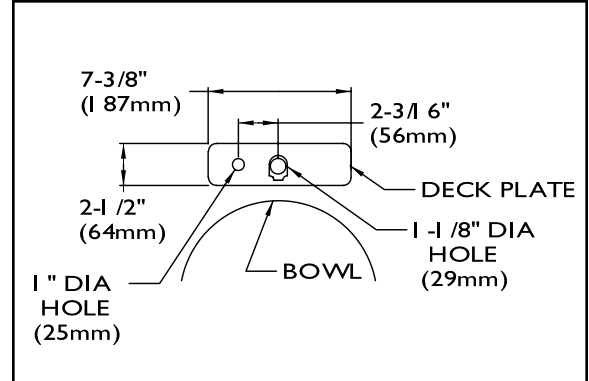
This space for Architect/Engineer approval.



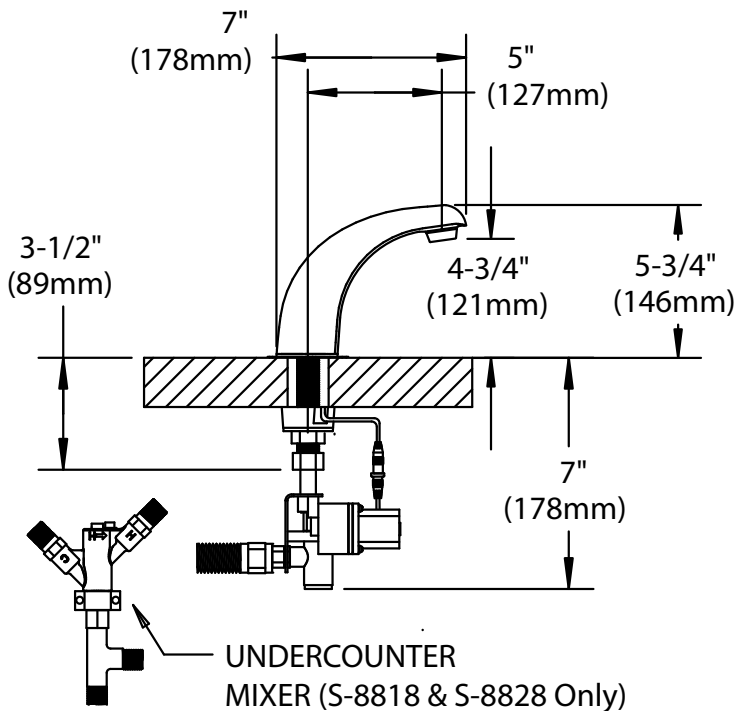
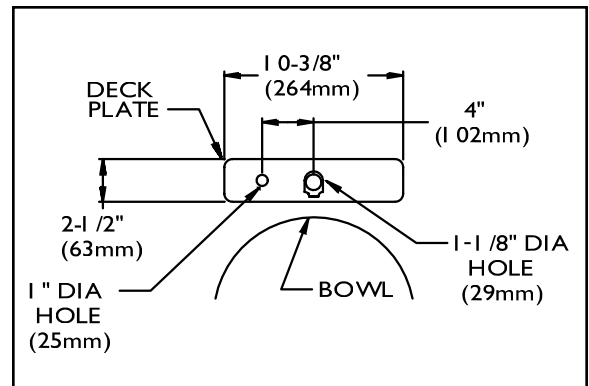
ROUGH-INS



S-8817 S-8818



S-8827 S-8828



NOTE: Position faucet as close to the edge of the sink as possible. Ensure adequate clearance for wire protector, wires, washers and nut. Unless otherwise specified, all inlets are 3/8 compression with male threads. Unless otherwise specified, all dimensions are in inches and are subject to change without notice.