

## SENSORFLO®

### Battery Powered Manual Override Lavatory Faucet

**S-8717**  
**S-8718**



**S-8727**  
**S-8728**



#### GENERAL SPECIFICATION

Polished chrome plated. Ceramic manual override valve activates the faucet for continuous operation in the event of battery drain or user preference. Solenoid with built-in filter. Includes hoses needed to make manual override connections. Two 3-volt DC lithium batteries with waterproof connectors housed above-counter in spout. Spout consists of all metal chassis and removable cover. Low battery warning light. Vandal resistant 60-second time out feature. Water conserving vandal-resistant flow control reduces flow to 2.2 gpm/8.4 lpm. To meet existing ASME A112.18.1/CSA B125.1 standard.

**NOTE:** Stainless steel flexible supply hose(s), 3/8" compression, to supply stop(s) not included, see options below.

**S-8717**

Low profile faucet with 4" deck plate.

**S-8718**

Low profile faucet with 4" deck plate, under counter mechanical mixer with built-in backflow check valves.

**S-8727**

Low profile faucet with 8" deck plate.

**S-8728**

Low profile faucet with 8" deck plate, under counter mechanical mixer with built-in backflow check valves.

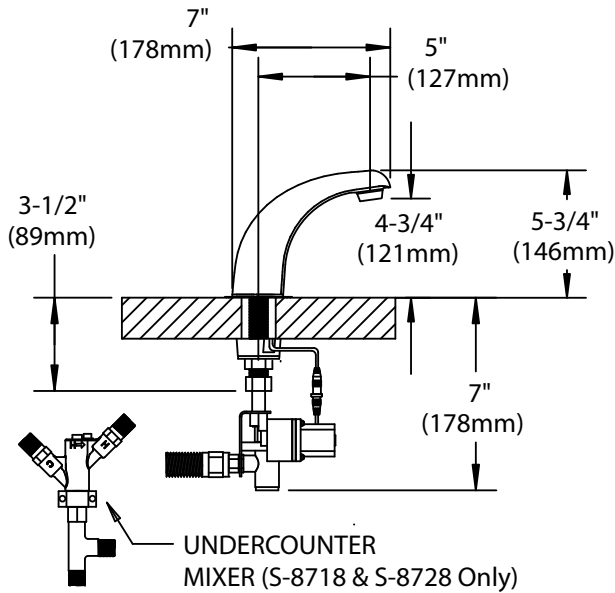
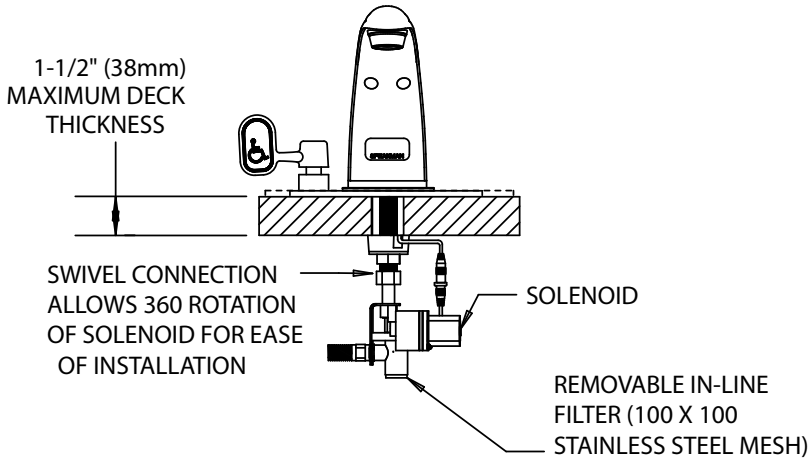
#### OPTIONS

SUFFIX	DESCRIPTION
<input type="checkbox"/> BO	0.5 gpm flow control, vandal-resistant
<input type="checkbox"/> GB	1.5 gpm flow control, vandal-resistant
<input type="checkbox"/> HS	Two (2) stainless steel flexible supply hoses to supply stops
<input type="checkbox"/> HTS	One (1) stainless steel hose for tempered water systems (S-8717, S-8727 only)
<input type="checkbox"/> LF	2.2 gpm laminar flow control outlet
<input type="checkbox"/> TMV	Under counter thermostatic mixing valve (S-8717, S-8727 only)
<input type="checkbox"/> VRS	Vandal-resistant screws for removable cover and custom wrench

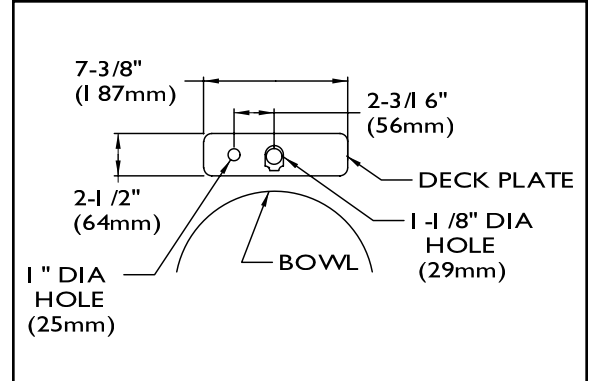
This space for Architect/Engineer approval.



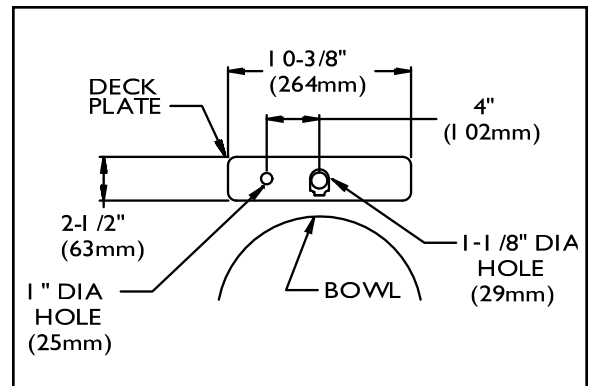
## ROUGH-INS



### S-8717 S-8718



### S-8727 S-8728



NOTE: Position faucet as close to the edge of the sink as possible. Ensure adequate clearance for wire protector, wires, washers and nut. Unless otherwise specified, all inlets are 3/8 compression with male threads. Unless otherwise specified, all dimensions are in inches and are subject to change without notice.