

SENSORFLO®

S-8700
S-8701



S-8710
S-8711



S-8720
S-8721



Battery Powered Lavatory Faucet

GENERAL SPECIFICATION

Polished chrome plated. Solenoid with built-in filter. Two 3-volt DC lithium batteries with waterproof connectors housed above-counter in spout. Spout consists of all metal chassis and removable cover. Low battery warning light. Vandal-resistant 60-second time out feature. Water conserving vandal-resistant flow control reduces flow to 2.2 gpm/8.4 lpm. To meet existing ASME A112.18.1/CSA B125.1 standard.

NOTE: Stainless steel flexible supply hose(s), 3/8" compression, to supply stop(s) not included, see options below.

S-8700

Single basin low profile faucet.

S-8701

Single basin low profile faucet, under counter mechanical mixer with built-in backflow check valves.

S-8710

Low profile faucet with 4" deck plate.

S-8711

Low profile faucet with 4" deck plate, under counter mechanical mixer with built-in backflow check valves.

S-8720

Low profile faucet with 8" deck plate.

S-8721

Low profile faucet with 8" deck plate, under counter mechanical mixer with built-in backflow check valves.

OPTIONS

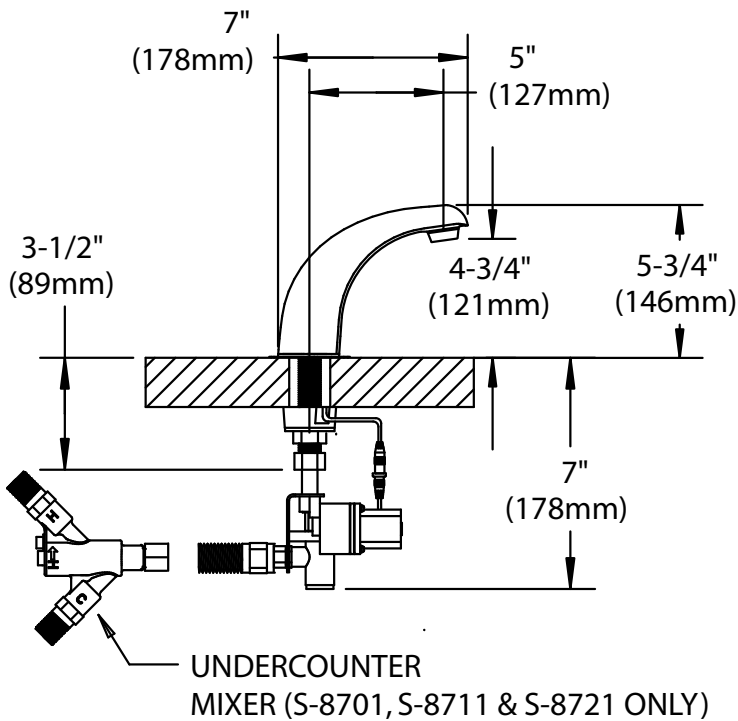
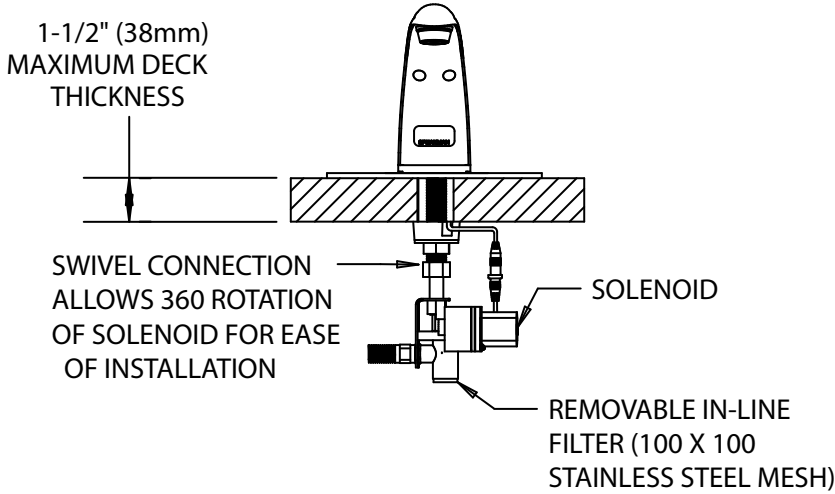
| SUFFIX | DESCRIPTION |
|-------------------------------|---|
| <input type="checkbox"/> BO | 0.5 gpm flow control, vandal-resistant |
| <input type="checkbox"/> CA** | No lead for CA AB1953 compliance |
| <input type="checkbox"/> GB | 1.5 gpm flow control, vandal-resistant |
| <input type="checkbox"/> HS | Two (2) stainless steel flexible supply hoses to supply stops |
| <input type="checkbox"/> HTS | One (1) stainless steel hose for tempered water systems (S-8700, S-8710, & S-8720 only) |
| <input type="checkbox"/> LF | 2.2 gpm laminar flow control outlet |
| <input type="checkbox"/> TMV | Under counter thermostatic mixing valve (S-8700, S-8710, & S-8720 only) |
| <input type="checkbox"/> VRS | Vandal-resistant screws for removable cover and custom wrench |

** The following options are not available with the "CA" option:
 HS (Hose & Spray), SO, TVI, VB6, VB8, ST, SW, & TMV.

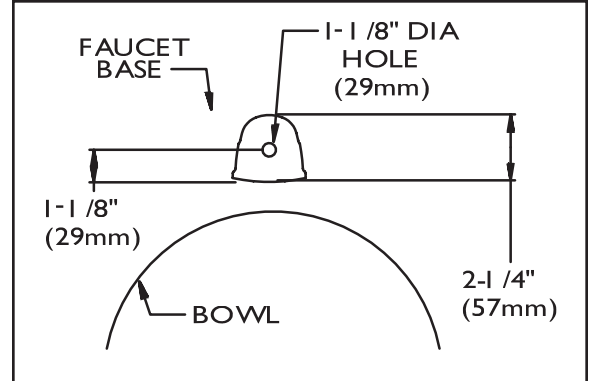
This space for Architect/Engineer approval.



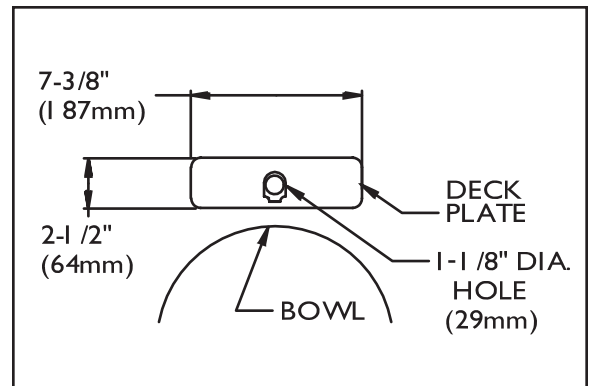
ROUGH-INS



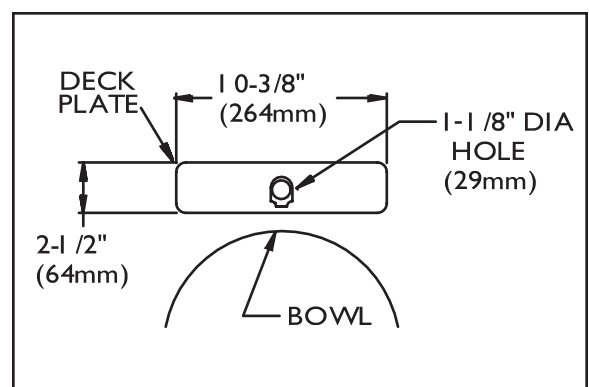
S-8700 S-8701



S-8710 S-8711



S-8720 S-8721



NOTE: Position faucet as close to the edge of the sink as possible. Ensure adequate clearance for wire protector, wires, washers and nut. Unless otherwise specified, all inlets are 3/8 compression with male threads. Unless otherwise specified, all dimensions are in inches and are subject to change without notice.