

EASY-PUSH®

S-4151



Easy-Push metering faucet cycle times will vary according to local water temperatures and pressure.

S-4171-LD



Metering Lavatory Widespread Combinations

GENERAL SPECIFICATION

Polished chrome plated widespread metering lavatory combination. Brass spout measuring 4-3/4" from center of inlet to center of outlet. Easy-Push handles with brass yokes. Concealed cycle adjustment without shutting off water supply. Non-hammering operating units protected by monel mesh screens. Adjustable centers from 6" to 12". Vandal-resistant handle. Water conserving vandal-resistant flow control reduces flow to .25 gpc/.946 lpc. Meets A112.18.1/CSA B125.1.

S-4151

Widespread faucet with 1-1/4" pop-up drain.

S-4171

Widespread faucet with strainer drain.

S-4171-LD

Widespread faucet. No drain assembly.

OPTIONS

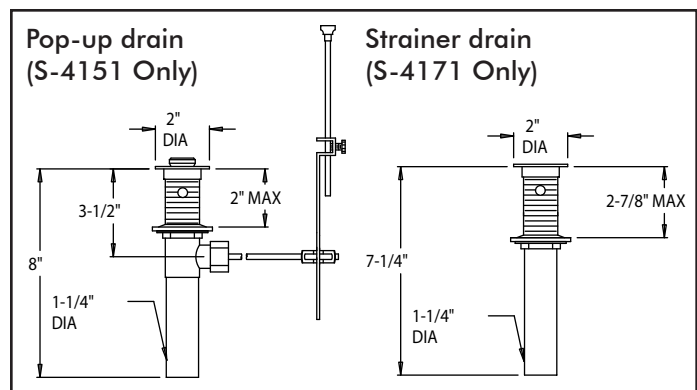
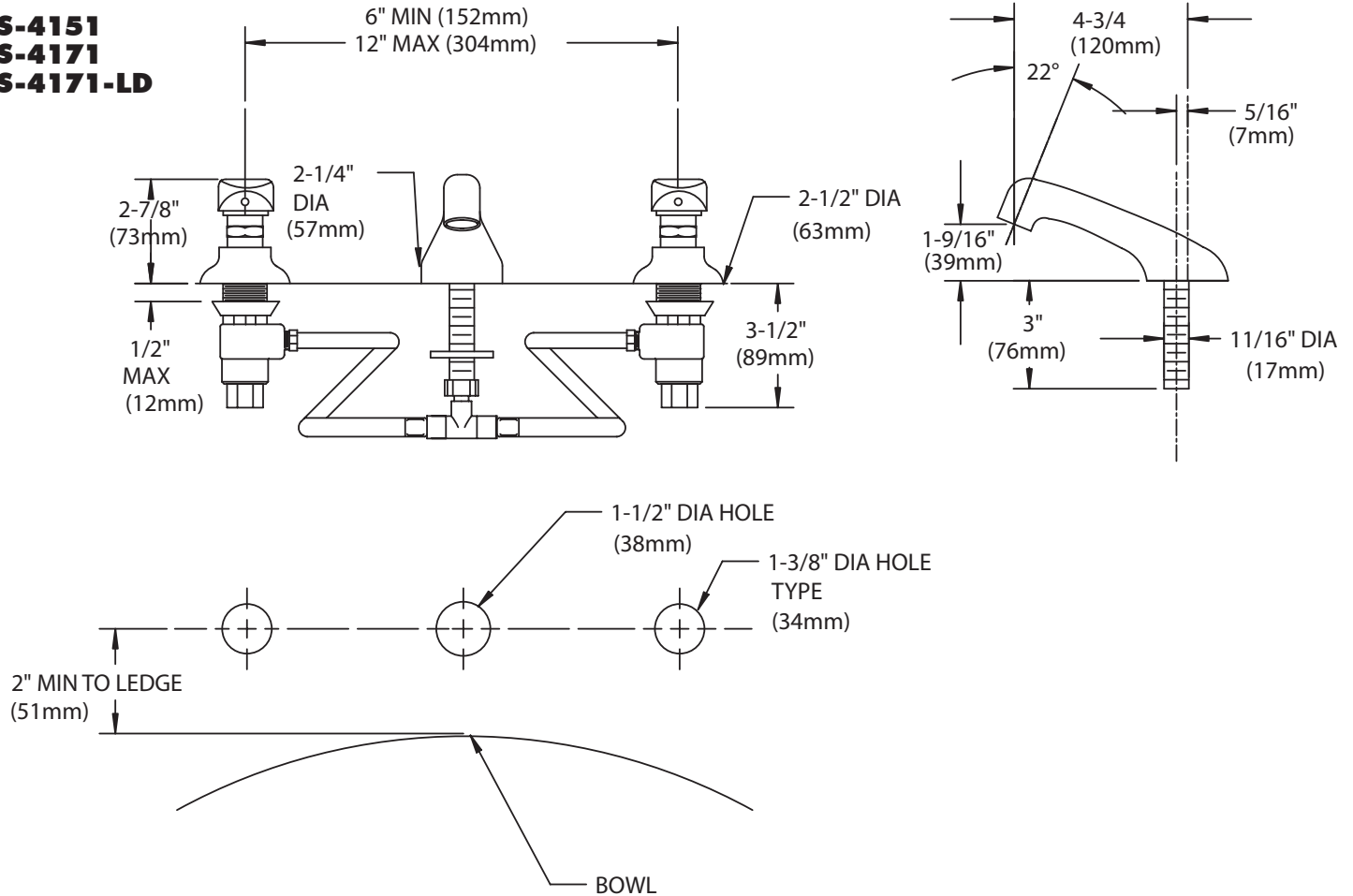
SUFFIX	DESCRIPTION
<input type="checkbox"/> BO	0.5 gpm flow control, vandal-resistant
<input type="checkbox"/> GB	1.5 gpm flow control, vandal-resistant
<input type="checkbox"/> CWO	Cold water only
<input type="checkbox"/> LD	Less drain assembly (S-4151 only)
<input type="checkbox"/> LF	2.2 gpm laminar flow control outlet
<input type="checkbox"/> PALM	Palm button (does not meet ADA or cUPC)

This space for Architect/Engineer approval.



ROUGH-INS

S-4151
S-4171
S-4171-LD



NOTE: All dimensions are in inches (millimeters) unless otherwise specified and are subject to change without notice. Inlets are sized for either coupling or sweat connections. Unless otherwise specified, all inlets are 1/2" NPSM.