

EASY-PUSH®

S-4131



Easy-Push metering faucet cycle times will vary according to local water temperatures and pressure.



S-4141



Metering Lavatory Centerset Combinations

GENERAL SPECIFICATION

Polished chrome plated all brass 4" centerset metering lavatory combination with rigid shanks. Easy-Push handles with brass yokes. Concealed cycle adjustment without shutting off water supply. Non-hammering operating units protected by monel mesh screens. Vandal-resistant standard. Water conserving vandal-resistant flow control reduces flow to .25 gpc/ .946 lpc. Meets A112.18.1/CSA B125.1.

S-4131

Metering lavatory centerset faucet with 1-1/4" pop-up drain.

S-4141

4" centerset faucet with strainer drain.

S-4141-LD

4" centerset faucet. No drain assembly.

OPTIONS

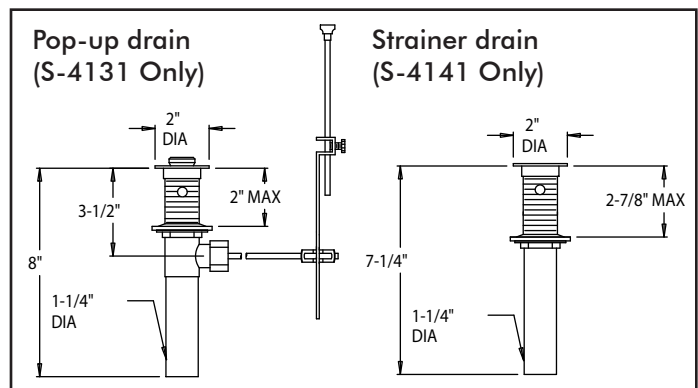
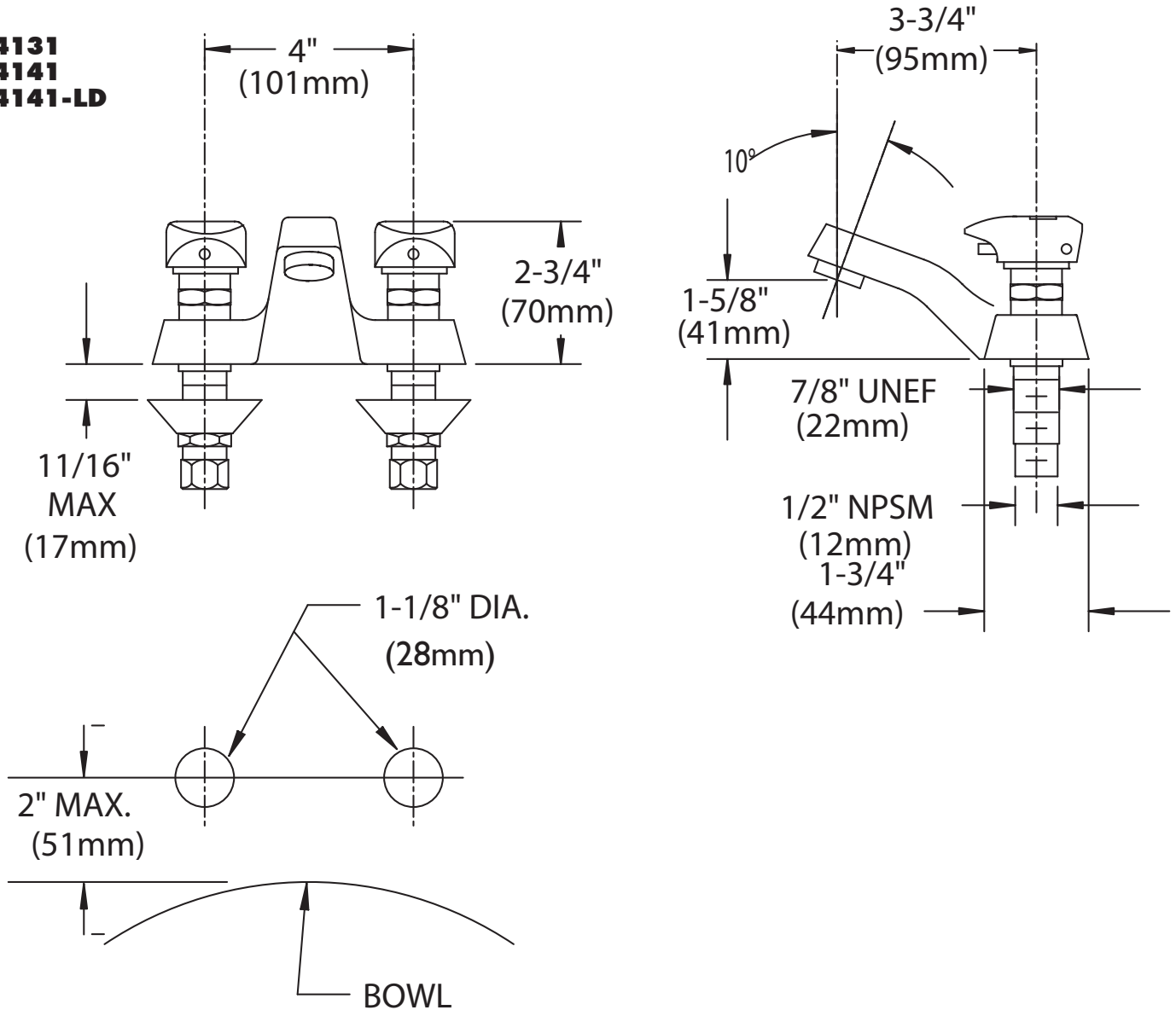
SUFFIX	DESCRIPTION
<input type="checkbox"/> BO	0.5 gpm flow control, vandal-resistant
<input type="checkbox"/> GB	1.5 gpm flow control, vandal-resistant
<input type="checkbox"/> LD	Less drain assembly (S-4131 only)
<input type="checkbox"/> LF	2.2 gpm laminar flow control outlet
<input type="checkbox"/> PALM	Palm button (does not meet ADA or cUPC)

This space for Architect/Engineer approval.



ROUGH-INS

S-4131
S-4141
S-4141-LD



NOTE: All dimensions are in inches (millimeters) unless otherwise specified and are subject to change without notice. Inlets are sized for either