

# SPEAKMAN COMPANY

## **S-4125, 26, & 27 Installation, Maintenance & Operation Instructions**

### **EASY-PUSH®**

### **METERING SINGLE BASIN FAUCET**

#### **DESCRIPTION**

Speakman polished chrome plated all brass EASY-PUSH metering single basin, front push, faucet with a rigid shank. Integral brass spout measuring 3-5/8" from center of inlet to center of outlet. EASY-PUSH handle (S-4125 Plain, S-4126 Hot, & S-4127 Cold) with brass yoke. Concealed cycle adjustment without shutting off water supply. Non-hammering operating unit protected by monel mesh screens. Vandal-resistant standard. Vandal-resistant water conserving aerated outlet device reduces flow to .25 GPC/.946 LPC to meet existing ASME A112.18.1/CSA B125.1 Standard. 1/2-14 NPSM male threaded inlet shank.

#### **SPECIFICATIONS**

SUPPLY: 1/2-14 NPSM COMPRESSION COUPLING OR 1/2 COPPER SWEAT CONNECTIONS.

FLOW RATE: .25 GPC/.946 /LPC MAX.

SHIPPING WEIGHT: 2.8 LBS.

#### **OPTIONS**

◇ BOCA – Vandal-Resistant 0.5 gpm Flow Control Device	◇ GB- Vandal-Resistant 1.5 gpm Aerator Outlet Device	◇ PALM- Palm Button (Does not meet ADA)	◇ 4DP- 4" (Centers) Deck Plate
◇ LF- Vandal-Resistant 2.2 gpm Laminar Flow Control Device	◇ HS- Two (2) Stainless Steel Supply Hoses (For "UCM" Option Only)	◇ UCM- Under Counter Mixer	◇

#### **IMPORTANT**

IT IS ABSOLUTELY ESSENTIAL THAT THESE INSTALLATION AND ADJUSTING INSTRUCTIONS BE FOLLOWED. IF THEY ARE NOT, THE VALVE MAY NOT WORK PROPERLY AND THE PRODUCT WARRANTY WILL BE VOIDED.

SHOULD SPEAKMAN COMPANY OR ITS AGENTS BE REQUIRED TO SERVICE THE PRODUCT, A SERVICE CHARGE MAY BE MADE TO COVER THESE COSTS.

#### **INSTALLATION**

**NOTE-** If applicable, install the anti-rotation pin into faucet body hole. Also if applicable, drill hole in the sink/countertop (See separate instruction/template sheet located in the hardware bag group).

1) **4DP Installations Only-** Install threaded hold down studs into the plate. Place deck plate & gasket onto sink/countertop, making sure the small hole for the anti-rotation pin is towards the front, near the bowl. **Do not** install the cup washers or wing nuts at this time.

2) Install friction/seal gasket onto shank of faucet. Place faucet in position on the sink or countertop. Working from under the bowl, slip cup washer onto shank and screw locknut up hand tight. Using a basin wrench, with body properly positioned, tighten locknut. NOTE: 50 FT-LBS MAX. **4DP Installations Only-** Slip cup washers, cup side facing down, onto studs. Screw on wing nuts & hand tighten. Connect water supply line to inlet shank and tighten coupling nut with wrench.

**IMPORTANT-** This metering faucet is not an ordinary plumbing product. It is designed to provide a variety of flow times, which are dependent on temperature and pressure. The mechanism of the valving is manufactured to very close tolerances, therefore care in handling and flushing the water line is required. It is recommended that all metering valves be installed with their flush plug in place and outlet device removed. After thoroughly flushing the water line of each faucet, the metering mounting and outlet device may be carefully assembled to the each faucet. Following these simple overall instructions will greatly enhance the successful installation of this metering faucet.

3) Make sure flush plug is secure in the faucet and outlet device is removed. Flush line by turning on water supply to faucet. Flush line until water supply is clean of all foreign matter. Turn off water supply and remove flush plug. Before installing metering mounting, remove as much of the standing water in the faucet as possible. This prevents a detrimental pressure build up that can occur during assembly. Guide mounting into faucet making sure not to nick o-ring. If excessive resistance is felt, relieve the pressure by pushing down on the adjusting piece or palm button. Screw mounting into faucet. Wrench tighten.

4) Assemble outlet device to outlet of faucet.

5) **Easy Push Handle Only-** Loosen the two setscrews in the hub using an Allen wrench. Insert metering handle assembly into the hub. NOTE: BE SURE THE BOTTOM PART OF HANDLE YOKE IS IN CONTACT WITH THE TOP OF THE HUB. Tighten the two setscrews in the hub.

6) Turn water supply on and cycle the unit a few times to purge any air from the water system. Check installation for leaks.

#### **MOUNTING CYCLE TIME ADJUSTMENT INSTRUCTIONS:**

NOTE- Also see #92-0240 Mounting Cycle Time Adjustment Instruction Sheet (Includes Easy Push & Palm Button handles).

**Easy Push Handle Only-** Turn handle adjusting screw with allen wrench clockwise (in) for a shorter cycle time and counterclockwise (out) for a longer cycle time. Push handle to cycle unit. If cycle is not satisfactory, readjust screw.

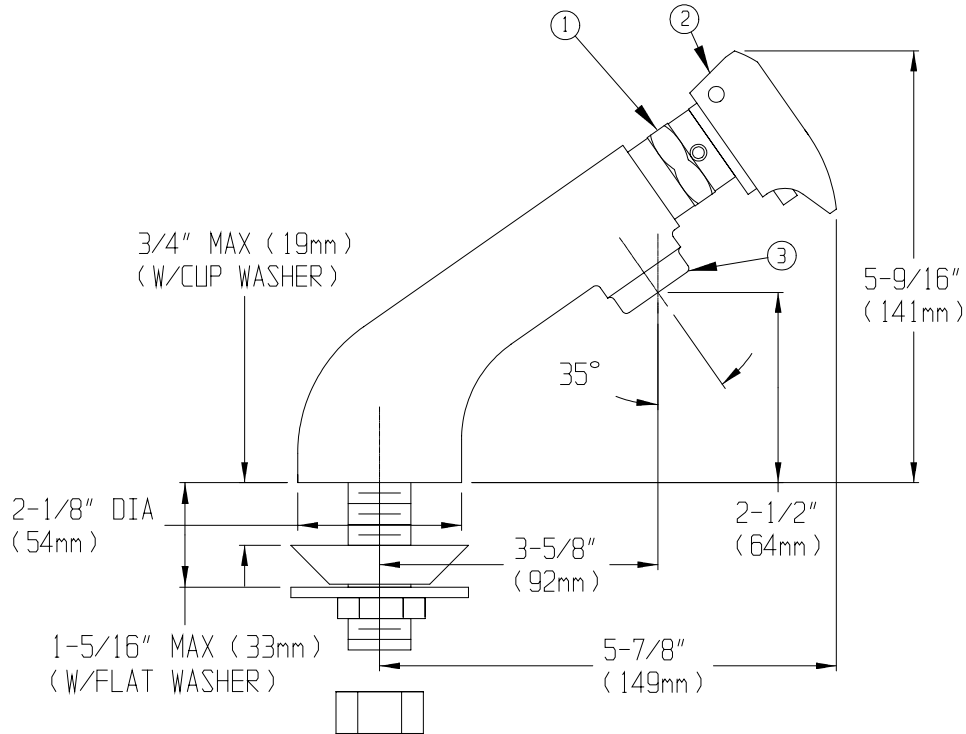
## **OPERATION**

Simply push on the EASY-PUSH handle to operate the lavatory faucet.

## **MAINTENANCE (CARE and CLEANING)**

The water supply to the metering faucet must be clean with no contaminants. If it is not then the metering mounting and outlet device will have to be cleaned periodically. The gleaming finish of your SPEAKMAN Commander lavatory faucet can be cleaned by using mild soap and warm water. Dry immediately with a soft, clean cloth for best results.

## **ROUGH-IN MEASUREMENTS**



### NOTES:

1. INLET IS SIZED FOR EITHER COUPLING OR SWEAT CONNECTIONS.
2. ALL DIMENSIONS ARE IN INCHES (MILLIMETERS) UNLESS OTHERWISE SPECIFIED AND ARE SUBJECT TO CHANGE WITHOUT NOTICE.

## **REPAIR / REPLACEMENT PARTS**

<u>ITEM NO.</u>	<u>PART OR GROUP NUMBER</u>	<u>DESCRIPTION</u>
1	G05-0441-RPR	EASY-PUSH REPLACEMENT UNIT LESS HANDLE ASSEMBLY
2	RPG11-0034	PLAIN HANDLE ASSEMBLY
	RPG11-0032	HOT HANDLE ASSEMBLY
	RPG11-0033	COLD HANDLE ASSEMBLY
3	RPG05-0674-PC	2.2 GPM AERATOR ASSEMBLY
NS	RPG05-0465	CHAMBER REPAIR KIT
NS	RPG45-0021	CHAMBER/MOUNTING REPAIR KIT

# **SPEAKMAN®**

PO Box 191 Wilmington, DE 19899

Phone: 800-537-2107 Fax: 800-977-2747

Visit us on the web at [www.speakmancompany.com](http://www.speakmancompany.com)

12/07  
92-2632-R2