

EASY-PUSH®

S-4100



Easy-Push metering faucet cycle times will vary according to local water temperatures and pressure.

S-4122



Metering Lavatory Widespread Combinations

GENERAL SPECIFICATION

Polished chrome plated all brass metering wash-up fitting. Easy-Push handles with brass yokes. Concealed cycle adjustment without shutting off water supply. Non-hammering operating units protected by monel mesh screens. Vandal-resistant standard.

S-4100

Single post through wall faucet. 4-5/8" from spray outlet to finished wall.

S-4122/Plain

S-4123/Hot

S-4124/Cold

Single post faucet with rigid shanks. Integral brass spout measuring 3-1/2" from center of inlet to center of outlet. Flow control device reduces flow to .25 gpc/.946 lpc. Meets A112.18.1/CSA B125.1.

OPTIONS

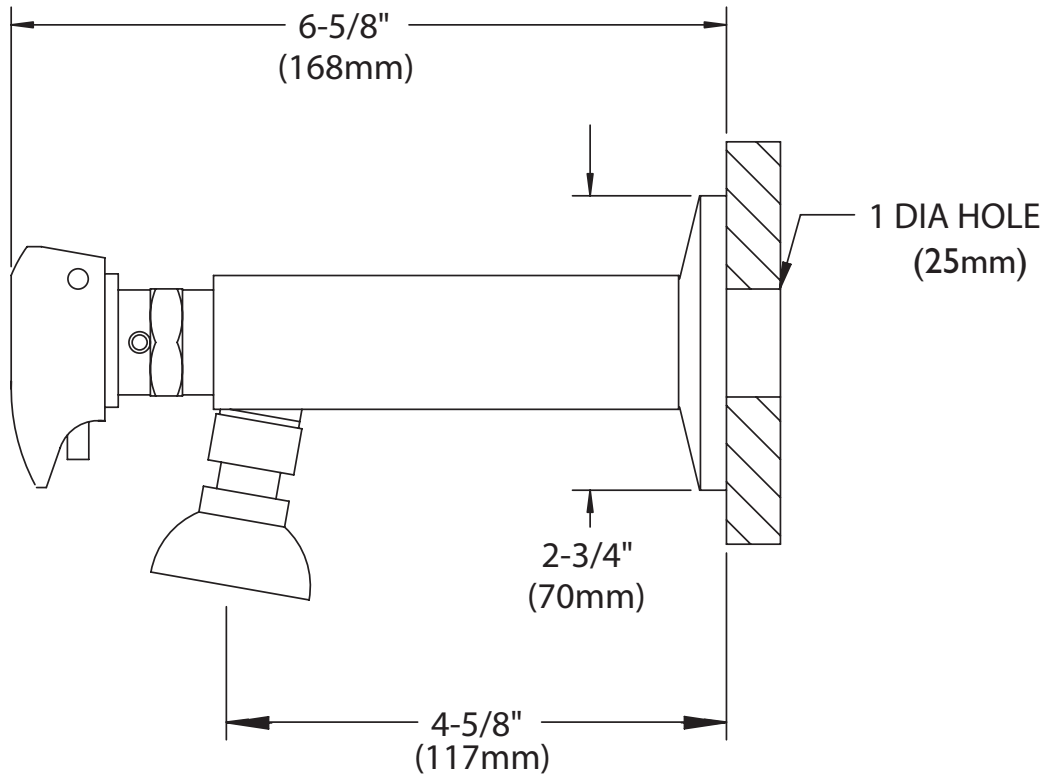
SUFFIX	DESCRIPTION
<input type="checkbox"/> BO	0.5 gpm flow control, vandal-resistant (Excludes S-4100)
<input type="checkbox"/> GB	1.5 gpm flow control, vandal-resistant (Excludes S-4100)
<input type="checkbox"/> HS	Two (2) stainless steel supply hoses for mixers (Excludes S-4100)
<input type="checkbox"/> LF	2.2 gpm laminar flow control outlet (Excludes S-4100)
<input type="checkbox"/> PALM	Palm button (does not meet ADA or cUPC)
<input type="checkbox"/> UCM	Under-counter mechanical mixer (excludes S-4100)
<input type="checkbox"/> 4DP	4" deck plate (excludes S-4100)

This space for Architect/Engineer approval.



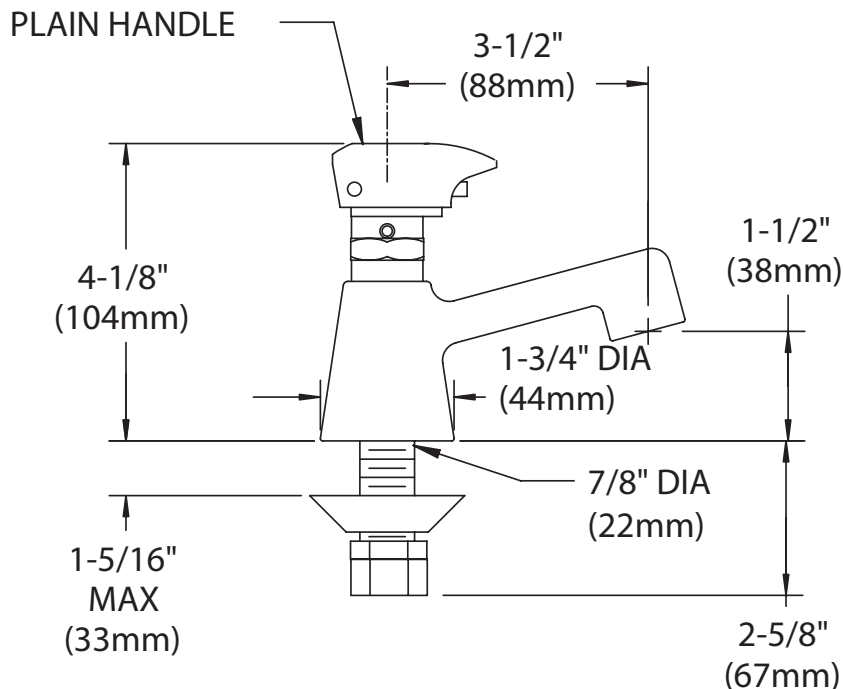
ROUGH-INS

S-4100



NOTE: All dimensions are in inches (millimeters) unless otherwise specified and are subject to change without notice. Inlet is 1/2" NPTF.

S-4122
S-4123
S-4124



NOTE: All dimensions are in inches (millimeters) unless otherwise specified and are subject to change without notice. Inlet is sized for either coupling or sweat connections. Unless otherwise specified, inlet is 1/2" NPSM.