

## EASY-PUSH®

**S-4100**



Easy-Push metering faucet cycle times will vary according to local water temperatures and pressure.

**S-4122**



## Metering Lavatory Widespread Combinations

### GENERAL SPECIFICATION

Polished chrome plated all brass metering wash-up fitting. Easy-Push handles with brass yokes. Concealed cycle adjustment without shutting off water supply. Non-hammering operating units protected by monel mesh screens. Vandal-resistant standard.

#### **S-4100**

Single post through wall faucet. 4-5/8" from spray outlet to finished wall.

#### **S-4122/Plain**

#### **S-4123/Hot**

#### **S-4124/Cold**

Single post faucet with rigid shanks. Integral brass spout measuring 3-1/2" from center of inlet to center of outlet. Flow control device reduces flow to .25 gpc/.946 lpc. Meets A112.18.1/CSA B125.1.

### OPTIONS

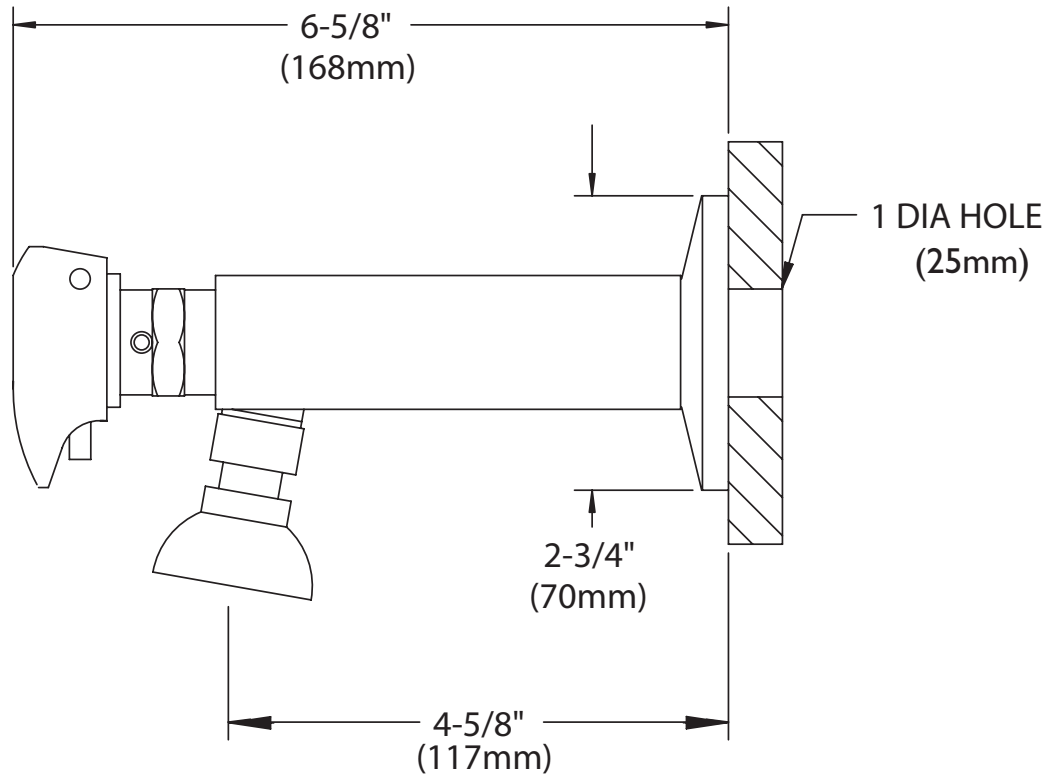
| SUFFIX                        | DESCRIPTION   |
|-------------------------------|---|
| <input type="checkbox"/> BO   | 0.5 gpm flow control, vandal-resistant (Excludes S-4100)          |
| <input type="checkbox"/> GB   | 1.5 gpm flow control, vandal-resistant (Excludes S-4100)          |
| <input type="checkbox"/> HS   | Two (2) stainless steel supply hoses for mixers (Excludes S-4100) |
| <input type="checkbox"/> LF   | 2.2 gpm laminar flow control outlet (Excludes S-4100)             |
| <input type="checkbox"/> PALM | Palm button (does not meet ADA or cUPC)                           |
| <input type="checkbox"/> UCM  | Under-counter mechanical mixer (excludes S-4100)                  |
| <input type="checkbox"/> 4DP  | 4" deck plate (excludes S-4100)                                   |

This space for Architect/Engineer approval.



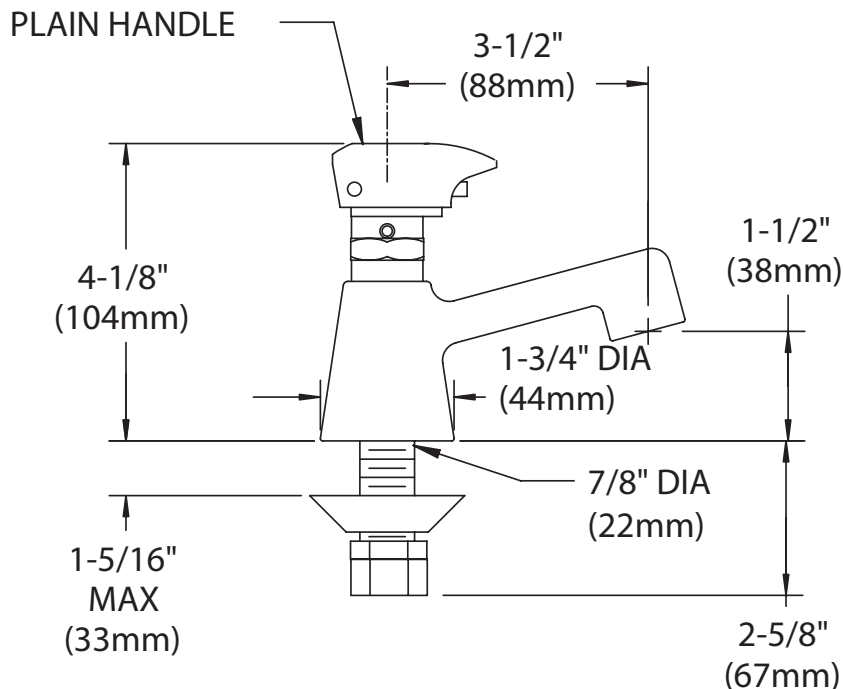
## ROUGH-INS

**S-4100**



NOTE: All dimensions are in inches (millimeters) unless otherwise specified and are subject to change without notice. Inlet is 1/2" NPTF.

**S-4122**  
**S-4123**  
**S-4124**



NOTE: All dimensions are in inches (millimeters) unless otherwise specified and are subject to change without notice. Inlet is sized for either coupling or sweat connections. Unless otherwise specified, inlet is 1/2" NPSM.