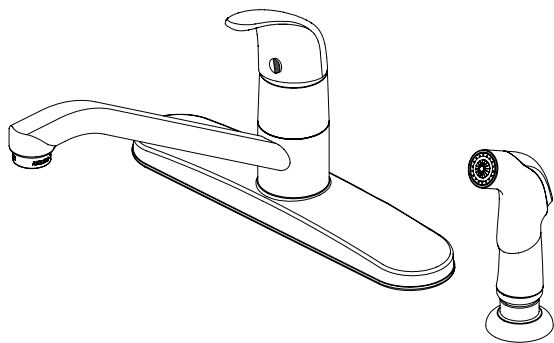


Instructions For Models:

- **S-3762**
- **S-3762-HS**



need help ?

For additional assistance or service call :

Speakman Company
400 Anchor Mill Road
New Castle, DE 19720

Phone: 800-537-2107

Fax: 800-977-2747

Email: customerservice@speakmancompany.com

Web Site: www.speakmancompany.com

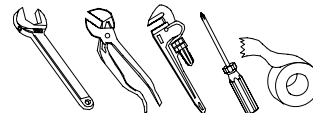
92-2810

what you need to know

Tools:

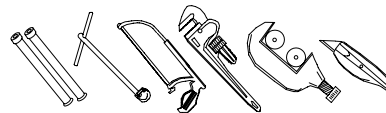
Require:

- Adjustable wrench
- Groove joint plier
- Pipe wrench
- Pipe tape
- Phillips screwdriver



Helpful:

- Supply lines
- Basin wrench
- Hacksaw
- Pipe wrench
- Tube cutter
- Utility knife



Maintenance

Your new lavatory faucet is designed for years of trouble-free performance. Keep it looking new by cleaning it periodically with a soft cloth. Avoid abrasive cleaners, steel wool and harsh chemicals as these will dull the finish and void your warranty.

Safety Tips

- If you use soldering for the installation of the faucet, the seats cartridges and washers will have to be removed before using flame. Otherwise, warranty will be void on these parts.
- Protect your eyes with safety glasses when cutting or soldering water supply line.
- Cover your drain to avoid loosing parts.

Important points

Prior to beginning installation, turn off the cold and hot water lines and open the old faucet to release build-up pressure.

When installing your new faucet, turn the connector nuts finger tight, then use one wrench to anchor the fitting and a second wrench to tighten the nut one additional turn. Connections that are too tight will reduce the integrity of the system.

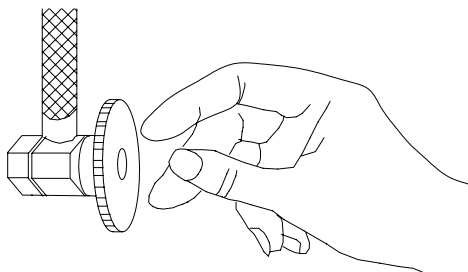
Wrap all threaded connections with Teflon tape available at your local hardware or plumbing supply store. Always wrap in a clock- wise direction.

Things You May Need

All installations can vary depending on how your previous faucet was installed. Necessary supplies to install your faucet are not all included: however they are available wherever plumbing supplies are sold. When choosing your installation supplies, make sure they are IAPMO and / or CSA approved products.

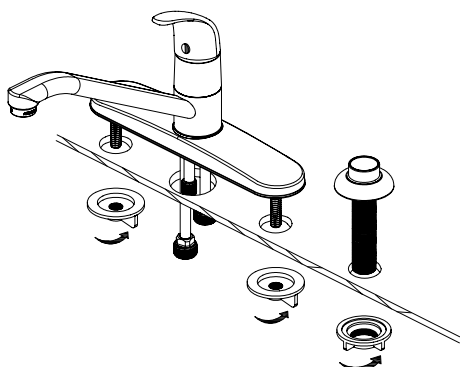
1

Shut off water supply. Remove old faucet. Clean sink surface in preparation for new faucet.



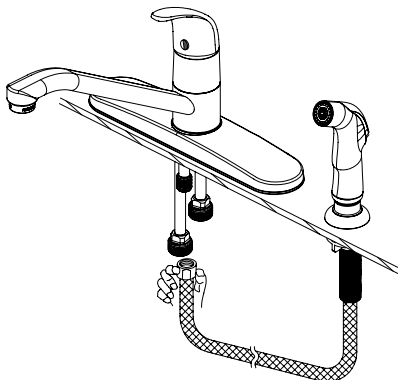
2

Install faucet into sink by leading all tubes down through center hole. Do not bend copper tubing. From under sink, thread mounting nut to metal rod and coupling nut. Insert spray support on sink. Screw hold-down nut onto shank and hand tighten.



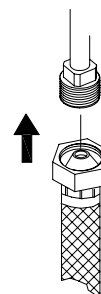
3

Insert spray hose down through support and sink. Attach spray hose to spray hose nipple. Tighten with wrench.



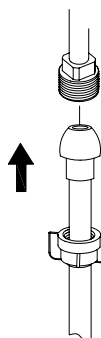
4A

Stainless Steel Braided Faucet Supply Tubes : This is the simplest of all installations . If you are using stainless steel braided faucet supply tubes , this faucet requires one end of the supply tube to have a 1/2" female IPS connection . The other end of this supply tube must match the thread on the water supply fittings or shut off valve under your sink . Once you have identified the required tube , carefully follow the manufacturer's installations instructions for each tube .



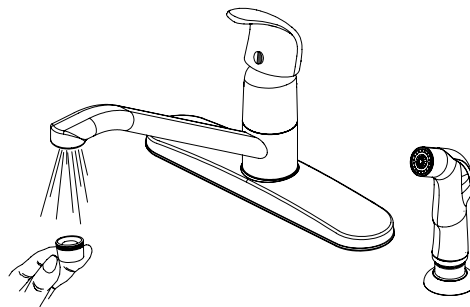
4B

Ball Nose Flexible Supplies : If you are using ball-nose flexible supplies to connect the faucet to water supply lines : Slip coupling nut behind ball-nose of flexible supply tube . Ball nose coupling will go partially into IPS shank or fitting . Tighten coupling nut (DO NOT OVER TIGHTEN) . Install opposite end according to manufacturer's instructions for both tubes .



5

Important : After installation is completed , remove aerator . Turn on water supply and allow both hot and cold water to run for at least one minute each . While water is running , check for leaks . Replace aerator . Tighten nuts slightly to stop minor leaks . If problems persist , refer to trouble shooting chart .



Trouble-shooting

PROBLEM Leaks underneath handle .

CAUSE Bonnet has come loose or Rubber valve seat is dirty or worn

ACTION

- 1 . Remove handle by loosening set screw with Allen wrench (Diagram A).
Unscrew the cap assembly.
- 2 . Tighten the bonnet by turning it clockwise. (Diagram B)
Move the cartridge stem to the on position. The leak should stop draining out from around the cartridge stem.
- 3 . If the leak does not stop, shut off the water supply. Remove the bonnet by turning it counter clockwise, remove cartridge ,(Diagram C) .
Inspect the small rubber valve seats for debris and replace with new valve seats if necessary (Diagram D).
- 4 . Position the cartridge back to the faucet body (Diagram E).
Re-tighten the Bonnet and cap (Diagram F).
- 5 . Replace the handle and tighten the set screw.

PROBLEM Water does not completely shut off.

CAUSE Rubber valve seat is dirty or worn.

ACTION

- 1 . Remove handle by loosening set screw with Allen wrench (Diagram A).
- 2 . Turn off the water under the sink.
- 3 . Unscrew the cap and bonnet assembly ,then remove cartridge(Diagram C) .
- 4 . Inspect the small rubber valve seats for debris and replace with new valve seats if necessary (Diagram D).
- 5 . Position the cartridge back to the faucet body (Diagram E).
- 6 . Re-tighten the Bonnet and cap (Diagram F). Replace the handle and tighten the set screw.
- 7 . Turn on the water under the sink.

PROBLEM Faucet leaks around aerator.

CAUSE Aerator incorrectly fitted.

ACTION

- 1 . Unscrew the aerator by turning it clockwise (Diagram G). Inspect the black rubber packing inside the aerator. The rubber packing should be flat.
- 2 . Screw the aerator onto the spout end and tighten.

PROBLEM Improper water pattern.

CAUSE Aerator dirty or small parts inside aerator improperly installed.

ACTION

- 1 . Remove the aerator from the spout end by turning it clockwise.
- 2 . Gently flush the small parts inside the aerator to clear away any debris.
- 3 . Re-install the small parts as shown in the exploded diagram (Diagram H).
Metal screens must be flat and plastic supporter must be straight.
- 4 . Screw the aerator onto the spout end and tighten.

