

SPEAKMAN COMPANY

S-3661 Installation, Maintenance & Operation Instructions Single Lever Deck Mounted Sink Fitting

DESCRIPTION

Speakman polished chrome plated, NSF compliant, vandal resistant, single lever faucet. Long-life ceramic cartridge. Adjustable temperature limit and flow control. Brass body constructions, metal handle with color-coded index. 8" spread brass gooseneck, swivel or rigid. Water conserving vandal-resistant flow control reduces flow to 2.2 GPM/8.4 LPM maximum to meet existing ANSI A112.18.1 Standard. 3/8 compression threaded inlets for standard hose connections.

SPECIFICATIONS

SUPPLY: 3/8 COMPRESSION (9/16-24 THREAD)
FLOW RATE: 2.2 GPM / 8.4LPM MAX
SHIPPING WEIGHT: 4.6 lbs.

OPTIONS

◇ BO - Vandal-Resistant 0.5 gpm Flow Regulator	◇ VB6- 6" Spread Rigid Vacuum Breaker Spout	◇ ST- Serrated Tip (Vacuum Breaker Spouts Only)
◇ LF - Vandal- Resistant 2.2 gpm Laminar Flow Outlet	◇ VB8- 8" Spread Rigid Vacuum Breaker Spout	◇ SW – Swivel Spout Assembly (Vacuum Breaker Spouts Only)
◇ FC- Laminar Flow Plain End Spout	◇ 4- 3-3/4" Spread Gooseneck Spout	◇ SS - 9" Swing Spout
◇ HS- Hose and Spray	◇ 5 - 5-1/4" Spread Gooseneck Spout	◇ SO – Rose Spray Outlet

INSTALLATION

- 1) Shut off hot and cold water supplies. Remove old fixture to be replaced and clean mounting surface.
- 2) Place the rubber o-ring mounting seal on the bottom groove of the valve body. Slip the valve body through the counter.
- 3) From underneath the counter, slip the cup washer onto mounting rod and secure with the mounting nut. Use the spacer for thin sink applications.

Note: The outlet/supply tubes can be bent slightly to allow access to tighten the mounting nut.

Warning: Do not kink the tubes. Kinked tubes will void warranty.

- 4) Set spout base on the counter and position. From underneath the counter, slip the cup washer onto the spout base inlet and secure with the mounting nut.
- 5) Connect water supply lines to inlets of the valve body. Also connect the valve body outlet to the inlet of the gooseneck with the hose provided. Use 2 wrenches when tightening all body connections.

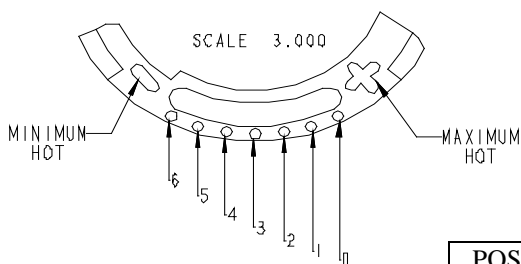
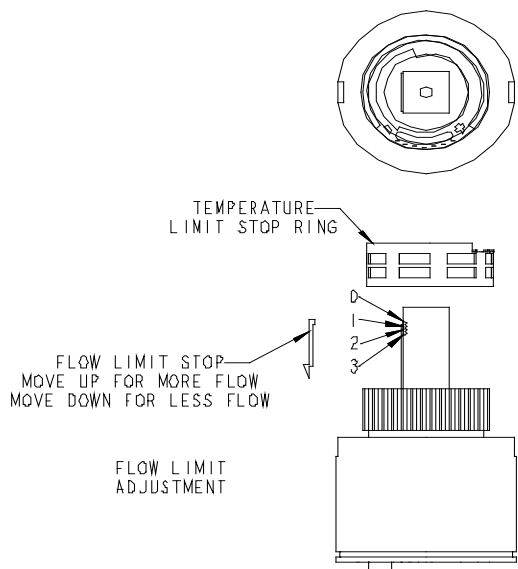
Warning: When tightening the connections hold the valve body connection while turning the swivel hose/riser connections.

- 6) From above sink, install the spout. **For All Swiveling Spout:** Install spout assembly into the body outlet and wrench tighten spout collar nut. Do not use the spout locking washer. **For Rigid Spout:** Place the spout locking washer into the body outlet, install the spout assembly, position, and wrench tighten the spout collar nut. **For Rigid Vacuum Breaker Spout- VB6/8 (Less "SW" option):** Do not use the spout locking washer. **IMPORTANT- First install rigid adapter in body and wrench tighten** (See Rough-In on back side of sheet). Apply thread locker/sealant to the spout tapered pipe threads. Screw the spout into the adapter until the threads start to get snug. Note- When positioning the spout, hold adapter hex with a wrench, so body does not move. Holding the hex of the adapter with a wrench, tighten the spout at least 1/3 turn to the proper position (Do not over tighten spout). Remember that the thread locker/sealant will lock and seal the spout assembly in place.
- 7) If applicable, install hose and spray holder to sink/countertop. From above sink, insert inlet end of hose through holder. Working from under the sink, connect hose inlet to hose and spray outlet of deck body. Wrench tighten.
- 8) Turn water supplies on and flush out the fitting. Install outlet device (If applicable) and check all connections for leaks.

OPERATION

Simply lift the handle up. Rotating the handle will change water temperature.

TEMPERATURE LIMIT STOP RING ADJUSTMENT



POSITIO N @ 45 PSI.	FLOW LIMIT	TEMP. L IMIT
0	0%	0%
1	5%	0%
2	12%	3%
3	25%	10%
4		20%
5		30%
6		40%

FLOW AND TEMPERATURE ADJUSTMENT INSTRUCTIONS

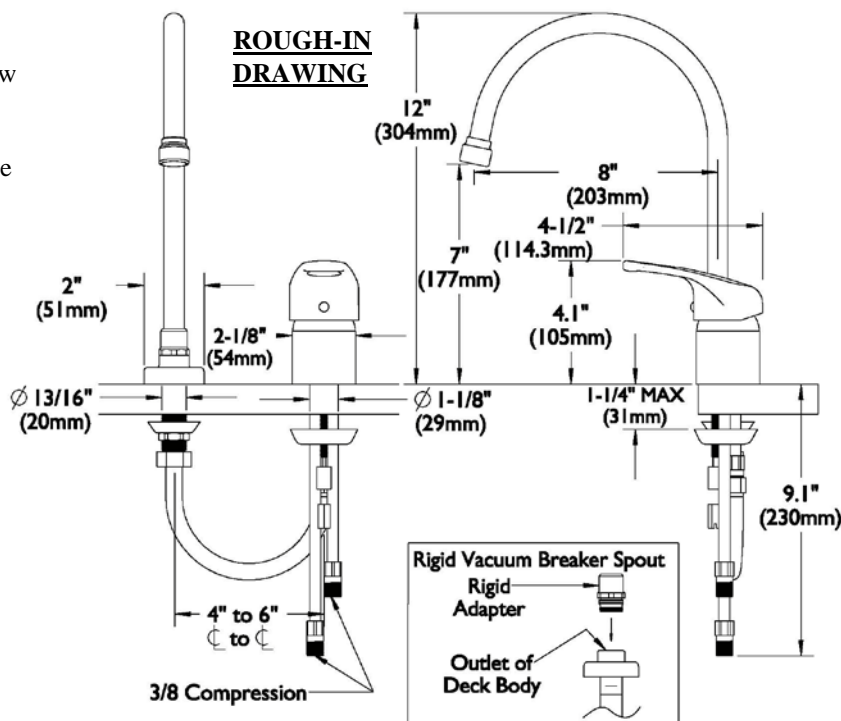
Adjusting Temperature Limit:

- 1) Remove handle by removing red/blue button and set screw using an Allen key and remove collar by hand counter-clockwise.
- 2) With cartridge control shaft in the center and off position, carefully lift and rotate the temperature limit stop ring to the desired setting using needle nose pliers or by hand. Clockwise rotation of the ring increases temperature and counterclockwise rotation of the ring lowers temperature (see table and schematic for details). Re-install handle and test for desired temperature.

Adjusting Flow Limit control:

- 1) Using a thin flat screwdriver, carefully remove flow limit stop by prying it away from the cartridge control shaft.
- 2) Reset flow limit stop higher on the shaft to increase flow or lower to decrease flow.
- 3) Re-install handle and check for desired flow.

NOTE: The flow limit adjustment is effective when a higher than 2.2 GPM flow outlet is installed in the faucet or the flow outlet has been removed.



MAINTENANCE (CARE and CLEANING)

Valves are washerless and require no routine maintenance. The gleaming finish of your SPEAKMAN single lever fitting can be cleaned by using mild soap and warm water. Dry immediately with a soft, clean cloth for best results.

REPAIR / REPLACEMENT PARTS

ITEM NUMBER	PART OR GROUP NUMBER	DESCRIPTION
1	G18-0217-PC-P	8" SPREAD GOOSENECK ASSEMBLY
2	G05-0674-PC	2.2 GPM AERATOR ASSEMBLY
3	G20-1979-PC	SINGLE LEVER FAUCET
4	63-0042	HOSE CONNECTION

SPEAKMAN®

PO Box 191 Wilmington, DE 19899 Phone: 800-537-2107 Fax: 800-977-2747
Visit us on the web at www.speakmancompany.com

10/08
92-2504 R4