

**S-3552**  
**S-3562-LD**



## Single Lever Faucet

### GENERAL SPECIFICATION

Polished chrome plated, NSF compliant, 4" centerset single lever faucet. All metal shell and belly plate. Ceramic cartridge. Water conserving aera-tor reduces flow to 2.2 gpm/8.4 lpm. Copper tube inlets with 1/2" NPSM compression threads. Meets ASME A112.18.1/CSA B125.1 and NSF 61 standards.

**S-3552**

4" centerset single lever faucet with 1-1/4" pop-up drain.

**S-3562-LD**

4" centerset single lever faucet. No drain assembly.

### OPTIONS

SUFFIX	DESCRIPTION
<input type="checkbox"/> BO	0.5 gpm flow control, vandal-resistant
<input type="checkbox"/> CA**	No lead for CA AB1953 compliance
<input type="checkbox"/> GB	1.5 gpm flow control, vandal-resistant
<input type="checkbox"/> LF	2.2 gpm laminar flow control outlet, vandal resistant
<input type="checkbox"/> VR	2.2 aerated flow control, vandal-resistant

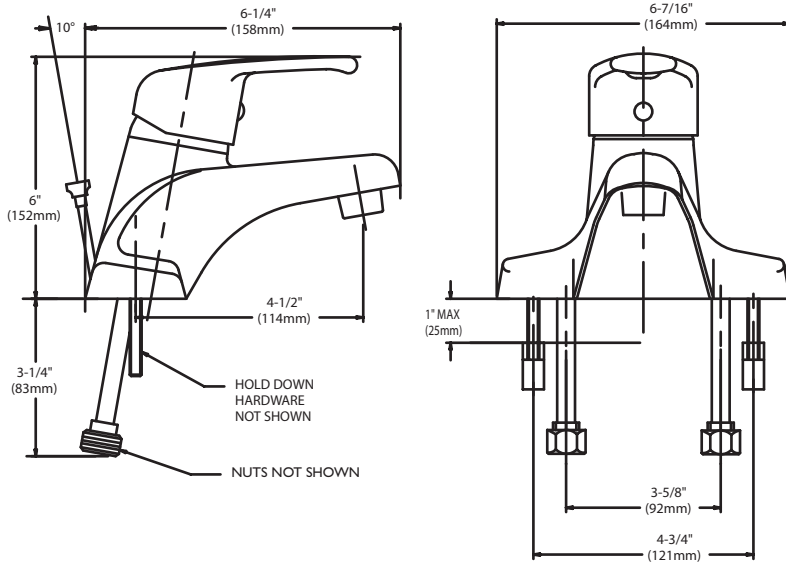
\*\* The following options are not available with the "CA" option:  
 HS (Hose & Spray), SO, TWI, VB6, VB8, ST, SW, & TMV.

This space for Architect/Engineer approval.

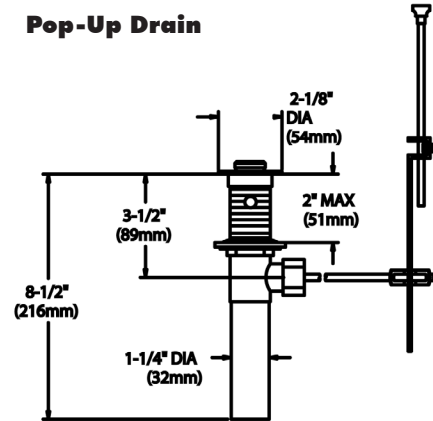


## Rough-Ins

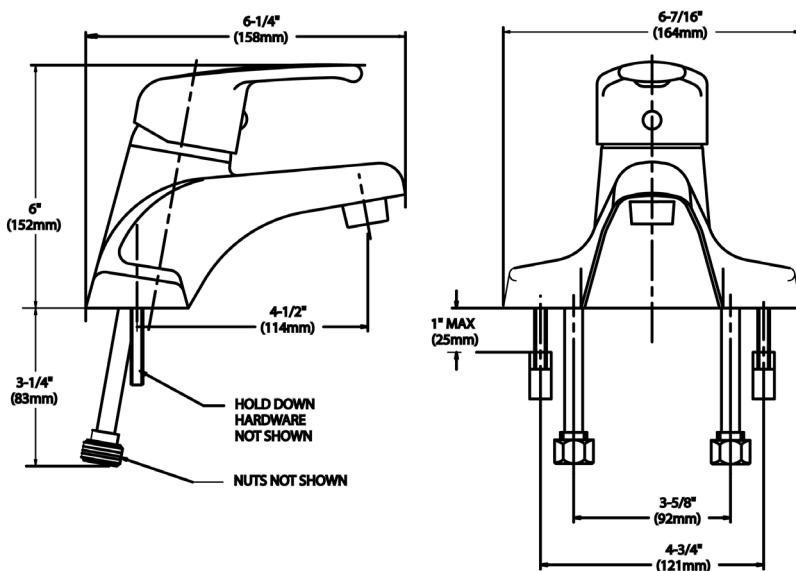
### S-3552



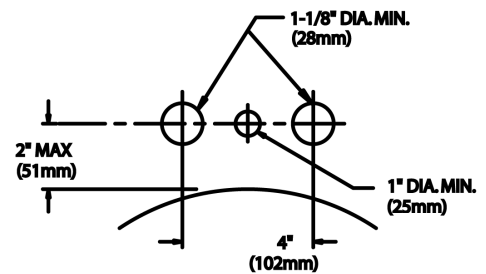
### Pop-Up Drain



### S-3562-LD



### S-3552 S-3562-LD



NOTE: All dimensions are in inches (millimeters) unless otherwise specified and are subject to change without notice. Lavatory inlets are sized for coupling connections. Unless otherwise specified, all inlets are 1/2" NPSM.