

SPEAKMAN COMPANY

S-3345 Installation, Maintenance & Operation Instructions

COMMANDER® HEALTHCARE

DECK MOUNTED GOOSENECK SPOUT

DESCRIPTION

Speakman chrome plated brass deck mounted swivel / rigid COMMANDER ® gooseneck spout. ½" NPSM inlet with coupling nut. 8" center to center. Water conserving AUTOFLO device reduces flow to 2.2 GPM / 8.4 LPM maximum to meet existing ANSI A112.18.1M Standard.

SPECIFICATIONS

INLET SUPPLY: COUPLING OR SWEAT CONNECTIONS.
 SHIPPING WEIGHT: XXX LBS.

OPTIONS

◇	BOCA – Vandal-Resistant 0.5 GPM Flow Control
◇	FC – Laminar Flow Control in Base of Spout 2.0 GPM

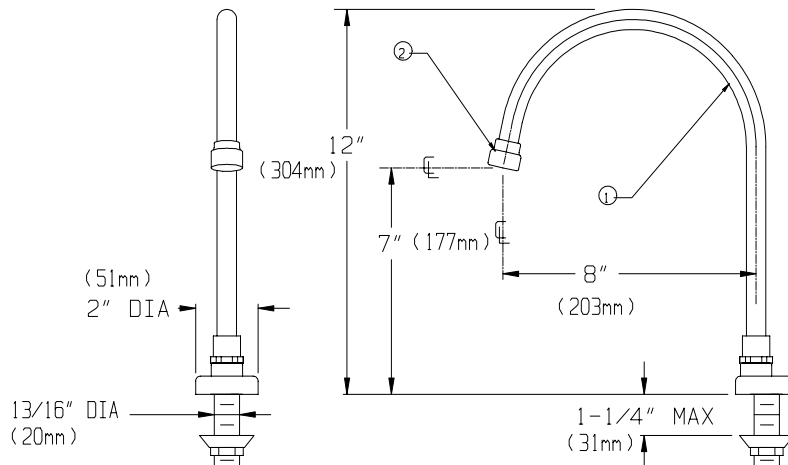
INSTALLATION

Apply sealant around base underside of flange assembly. Position assembly in hole of sink or countertop and push down firmly to seal. From under sink slip cup washer onto shank of flange. Screw shank nut on and tighten. Wipe off excess sealant from around flange base. Connect water supply line to shank and tighten coupling nut. For rigid gooseneck, locking washer is placed in flange assembly before assembling gooseneck. Swivel gooseneck, the washer is not used. Assemble gooseneck and wrench tighten collar nut.

MAINTENANCE (CARE and CLEANING)

The gleaming finish of your SPEAKMAN COMMANDER® HEALTHCARE gooseneck spout can be cleaned by using mild soap and warm water. Dry immediately with a soft, clean cloth for best results.

ROUGH-IN MEASUREMENTS



NOTES:

1. INLET IS SIZED FOR EITHER COUPLING OR SWEAT CONNECTIONS.
2. ALL DIMENSIONS ARE IN INCHES (MILLIMETERS) UNLESS OTHERWISE SPECIFIED AND ARE SUBJECT TO CHANGE WITHOUT NOTICE.

REPAIR / REPLACEMENT PARTS

<u>ITEM NUMBER</u>	<u>PART OR GROUP NUMBER</u>	<u>DESCRIPTION</u>
1	G18-0217-PC	GOOSENECK ASSEMBLY
2	RPG05-0674-PC	AERATOR

SPEAKMAN®

PO Box 191 Wilmington, DE 19899 Phone: 800-537-2107 Fax: 800-977-2747
 Visit us on the web at www.speakmancompany.com