

## COMMANDER® HEALTHCARE Gooseneck Spouts

**S-3345**



**S-3355**



### GENERAL SPECIFICATION

Polished chrome plated gooseneck spout for use with foot-pedal valves or surgeon scrub sink fitting. 8" deep gooseneck spout, rigid or swivel. Water conserving device limits flow to 2.2 gpm/8.4 lpm. Meets ASME A112.18.1/CSA B125.1 and NSF61.

**S-3345**

Deck mounted gooseneck spout. 1/2" NPSM inlet.

**S-3355**

Wall mounted gooseneck spout. 3/8" NPTF inlet.

### OPTIONS

SUFFIX	DESCRIPTION
<input type="checkbox"/> BO	Vandal-resistant 0.5 gpm flow control
<input type="checkbox"/> CA**	No lead for CA AB1953 compliance (S-3345 only)
<input type="checkbox"/> GB	Vandal resistant 1.5 GPM flow control
<input type="checkbox"/> LF	2.2 gpm laminar flow control outlet
<input type="checkbox"/> SO	Rose spray outlet
<input type="checkbox"/> 4*	3-3/4" deep spread gooseneck spout, rigid or swivel
<input type="checkbox"/> 5*	5-1/4" deep spread gooseneck spout, rigid or swivel
<input type="checkbox"/> 9*	9" deep tubular swing spout, rigid or swivel
<input type="checkbox"/> 12*	12" deep tubular swing spout, rigid or swivel
<input type="checkbox"/> FC*	2.0 gpm laminar flow control, plain end spout
<input type="checkbox"/> VB6*	6" deep spread gooseneck spout with vacuum breaker and rigid shanks
<input type="checkbox"/> VB8*	8" deep spread gooseneck spout with vacuum breaker and rigid shanks

### VACUUM BREAKER OPTIONS

SUFFIX	DESCRIPTION
<input type="checkbox"/> ST	Serrated tip
<input type="checkbox"/> SW	Swivel spout

\*See page 217 for optional spout specifications

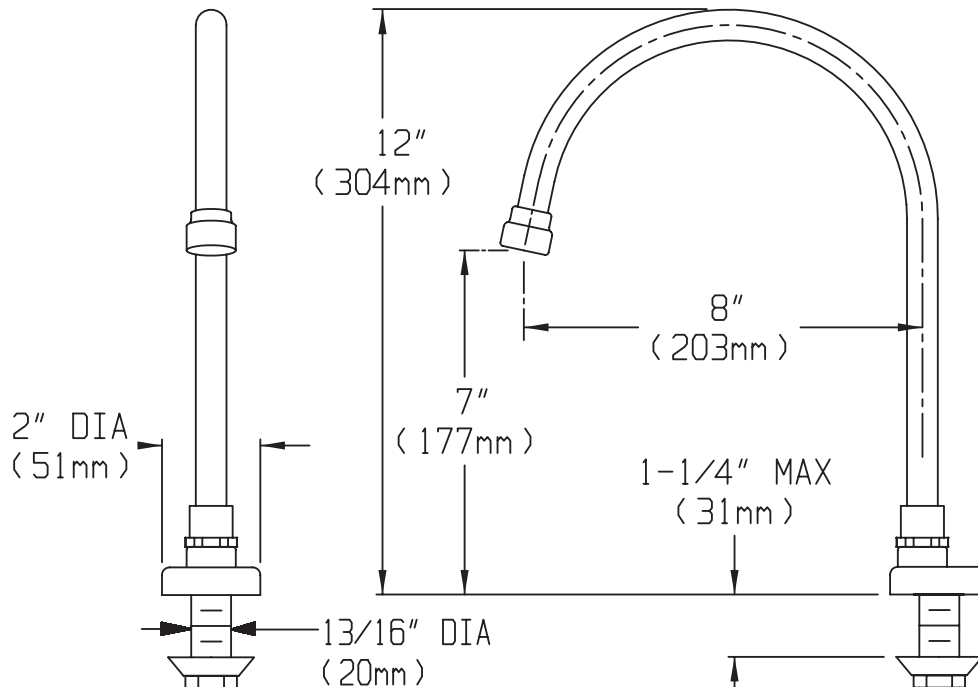
\*\* The "SW" option is not available with the "CA" option

This space for Architect/Engineer approval.



## ROUGH-INS

### S-3345



NOTE: All dimensions are in inches unless otherwise specified and are subject to change without notice. Inlet sized for either coupling or sweat connections. Inlet is 1/2 NPSM inlet.

### S-3355

