

## HEALTHCARE

### Mixing Valves

#### S-3219



#### GENERAL SPECIFICATION

Polished chrome plated brass double pedal self-closing mixing valve. Renewable operating units. 1/2" NPTF exposed inlets and outlet.

**S-3219**

Wall mounted valve.

**S-3229**

Floor mounted valve.

#### OPTIONS

| SUFFIX                       | DESCRIPTION                           |
|------------------------------|---------------------------------------|
| <input type="checkbox"/> UAS | Keyed union angle stops (S-3219 only) |
| <input type="checkbox"/> USS | Keyed union straight stops            |

#### S-3229

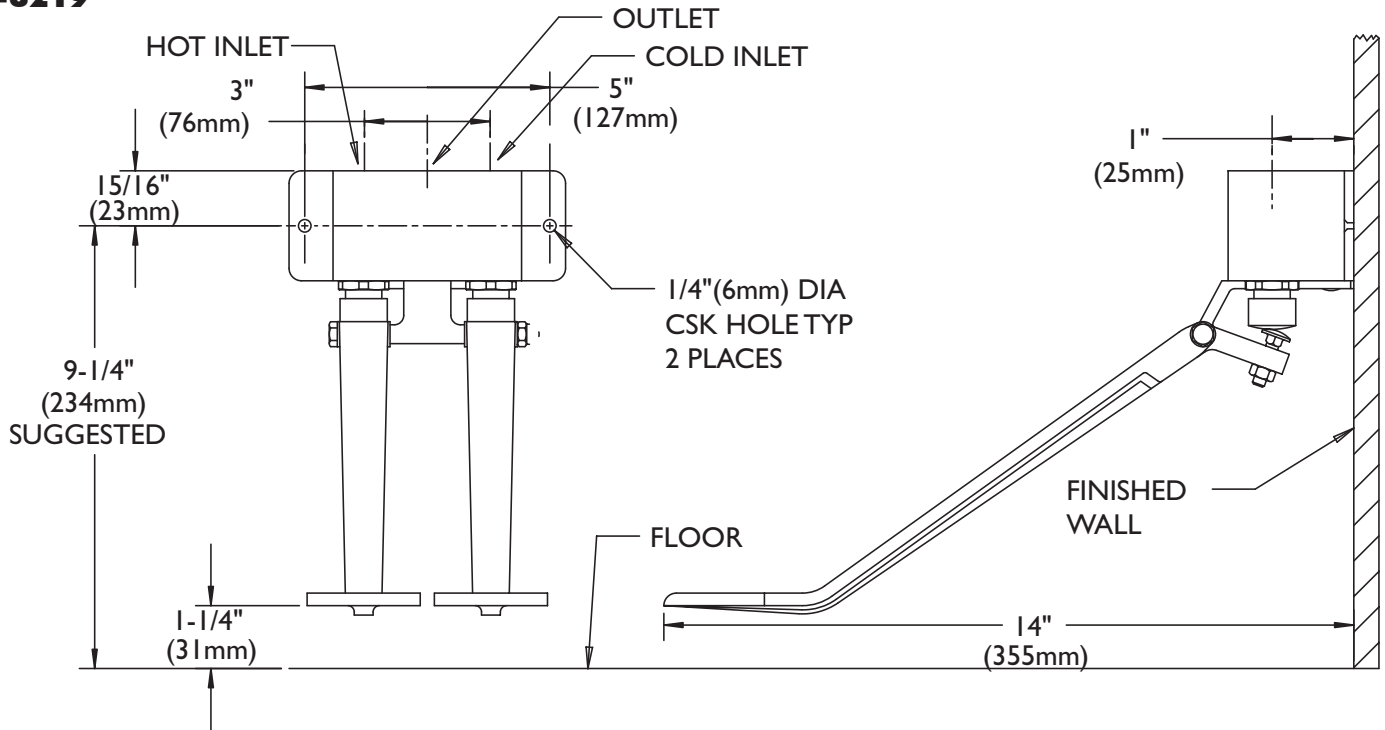


This space for Architect/Engineer approval.



## ROUGH-INS

### S-3219



### S-3229

