

# **SPEAKMAN COMPANY**

## **S-3032 Installation, Operation & Maintenance Instructions**

### **ANYSTREAM® SHOWERHEAD**

#### **DESCRIPTION**

Polished chrome plated ANYSTREAM® S-3032 Showerhead with a 4" spray adjustment face. Full spray, massage, and aerated spray settings. Air injection face. Water conserving pressure compensating AUTOFLO® device reduces flow to 2.5 GPM/9.46LPM maximum, to meet existing ANSI A112.18.1 Standard. ½" NPT inlet.

#### **SPECIFICATIONS**

SUPPLY INLET: ½" NPT  
FLOW RATE: 2.5 GPM/9.46LPM MAXIMUM  
SHIPPING WEIGHT: 1.0 LBS.

#### **OPTIONS**

◇ BN – Brushed Nickel Finish

#### **INSTALLATION**

Remove the old shower head from the shower arm. Clean off any debris on the threads of the shower arm. Wrap Teflon tape around the shower arm threads in a clockwise direction. Turning in a clockwise direction, screw the new Speakman shower head onto the shower arm. Tighten with a wrench. Turn the water supply on and check for leaks.

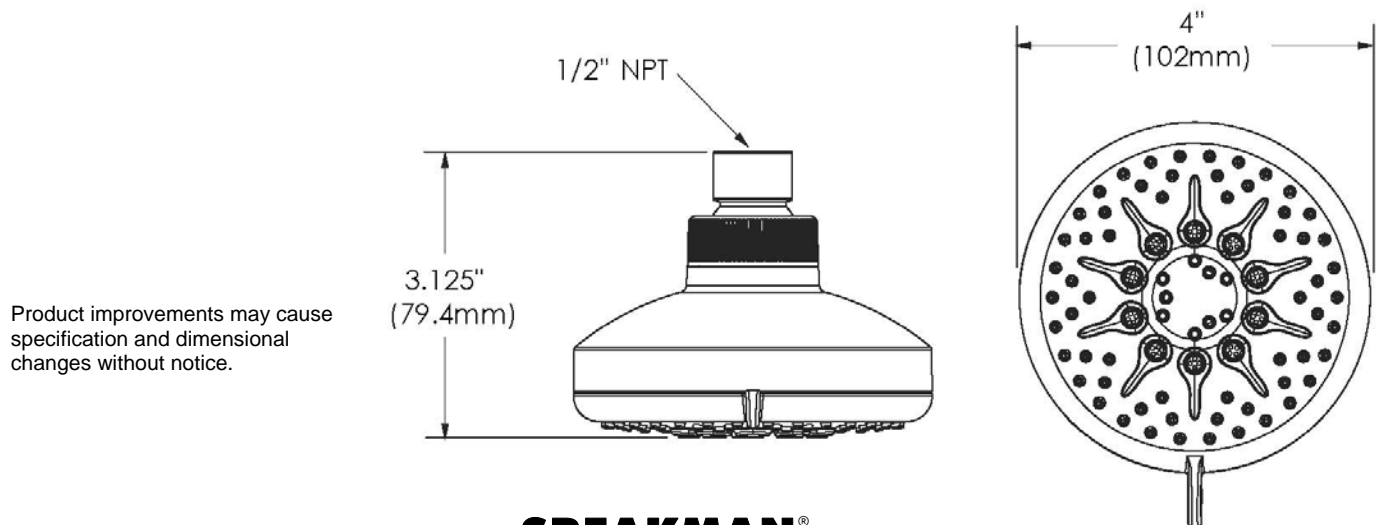
#### **OPERATION**

To adjust the spray pattern of the shower head, simply rotate the outer ring to the desired spray (Full-Body, Dual action or Massage). The outer ring can rotate 360°.

#### **MAINTENANCE**

The gleaming finish of your SPEAKMAN ANYSTREAM® shower head can be cleaned by using mild soap and warm water. Dry immediately with a soft, clean cloth for best results. The flow control device limits water flow to 2.5 gallons per minute. The small orifices may become clogged with scale and other minerals found in potable water. To clean the flow regulator, simply remove the shower head from the bent arm, dislodge the flow regulator which is located in the inlet and clean as necessary.

#### **ROUGH-IN MEASUREMENTS**



Product improvements may cause specification and dimensional changes without notice.

**SPEAKMAN®**

PO Box 191 Wilmington, DE 19899 Phone: 800-537-2107 Fax: 800-977-2747  
Visit us on the web at [www.speakmancompany.com](http://www.speakmancompany.com)

12/10  
92-3196  
Rev. 1