

# **SPEAKMAN COMPANY**

## **S-2520 Installation, Maintenance & Operation Instructions**

### **SHOWER ARM AND FLANGE**

#### **DESCRIPTION**

Speakman polished chrome plated brass 5-1/2" (140mm) shower arm. Stainless steel wall flange.

#### **SPECIFICATIONS**

1/2" NPT MALE INLET  
1/2" NPT MALE OUTLET  
SHIPPING WEIGHT: 0.4 LBS.

#### **OPTIONS**

◇ PB: Polish Brass
◇ BN: Brushed Nickel

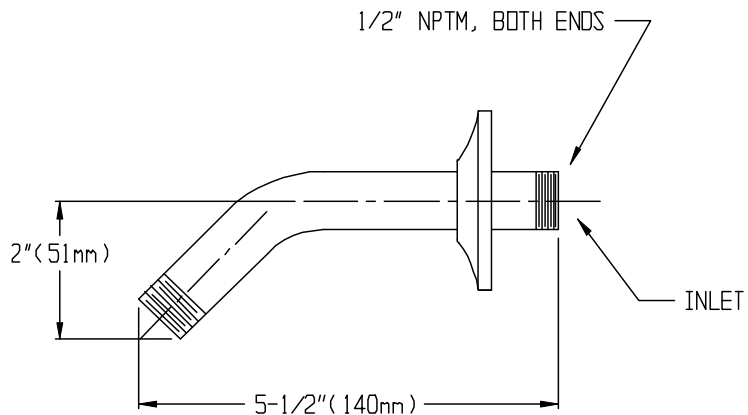
#### **INSTALLATION**

Slip wall flange onto shower arm. Apply teflon tape or pipe dope to male inlet threads and thread arm into piping behind wall. Wrench tighten. Slip wall flange flush to wall. Check connection for leaks.

#### **MAINTENANCE**

The gleaming finish of your SPEAKMAN S-2520 shower arm can be cleaned by using mild soap and warm water. Dry immediately with a soft, clean cloth for best results.

#### **ROUGH-IN MEASUREMENTS**



Product improvements may cause specification and dimensional changes without notice.

**SPEAKMAN®**

PO Box 191 Wilmington, DE 19899 Phone: 800-537-2107 Fax: 800-977-2747  
Visit us on the web at [www.speakmancompany.com](http://www.speakmancompany.com)

01/11  
REV 2  
92-1813