

SPEAKMAN COMPANY

S-2285 Installation, Maintenance & Operation Instructions

WATERSAVER® SHOWERHEAD

DESCRIPTION

Polished chrome plated WATERSAVER wall mounted showerhead. Rigid brass head. Adjustable spray. Drilled for but, but less mounting bolts. Water conserving pressure compensating AUTOFLO® device reduces flow to 2.5 GPM/9.46LPM maximum, to meet existing ANSI A112.18.1 Standard. Vandal resistant standard. ½" NPT back inlet.

SPECIFICATIONS

SUPPLY INLET: ½" NPT
 FLOW RATE: 2.5 GPM/9.46LPM
 MAXIMUM
 SHIPPING WEIGHT: 1.9 LBS.

OPTIONS

◇ AP-Anchor Plate Assembly With Mounting Screws	◇ BJ-Ball Joint
--	-----------------

INSTALLATION

Apply pipe thread tape in a clockwise direction to threads of supply nipple. Pipe joint compound may be used instead of tape. Turning in a clockwise direction, thread the showerhead on to the supply nipple. Tighten & position with a strap wrench or a pair of soft jaw pliers. Mark and drill holes for mounting screws (not provided). Note: If necessary, remove showerhead and use proper screw anchors (4)(not provided). Turn the water supply on and check for leaks. Tighten mounting screws (4).

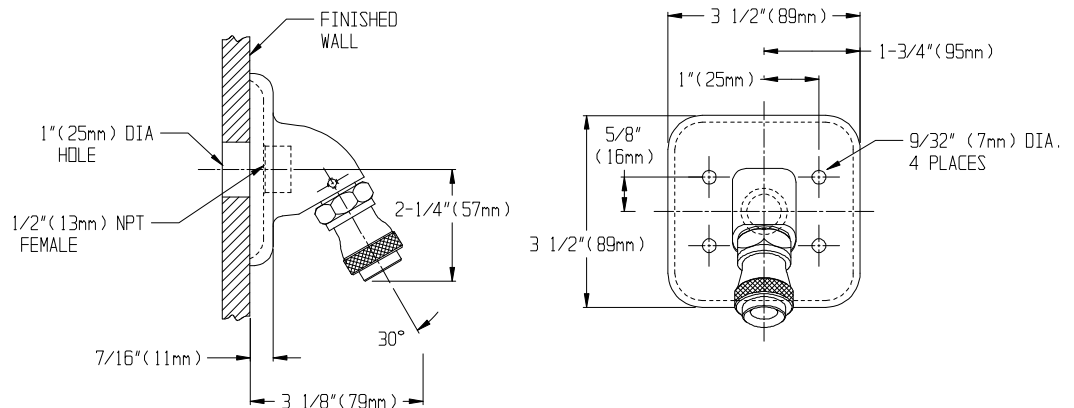
OPERATION

To adjust the spray pattern of the showerhead, simply rotate the knurled collar to the desired spray.

MAINTENANCE

The gleaming finish of your SPEAKMAN WATERSAVER® showerhead can be cleaned by using mild soap and warm water. Dry immediately with a soft, clean cloth for best results. The flow control device limits water flow to 2.5 gallons per minute. The small orifice may become clogged with scale and other minerals found in potable water. To clean the flow regulator, simply loosen the side set screw and remove the showerhead from the flanged elbow, remove the flow control from the brass retainer and clean as necessary.

ROUGH-IN MEASUREMENTS



SPEAKMAN®

PO Box 191 Wilmington, DE 19899 Phone: 800-537-2107 Fax: 800-977-2747
 Visit us on the web at www.speakmancompany.com

1/11
 REV 1
 92-3210