

# SPEAKMAN COMPANY

## S-2253 Installation, Maintenance & Operation Instructions

### ANYSTREAM® SHOWERHEAD

#### DESCRIPTION

Polished chrome plated ANYSTREAM showerhead. Brass ball swivel joint. Chrome plated shank. Spray adjusting T-handle. 2-1/4" face. 4 Lexan deposit resisting plungers with 32 spray channels. Water conserving pressure compensating AUTOFLO® device reduces flow to 2.5 GPM/9.46LPM maximum, to meet existing ANSI A112.18.1M Standard. 1/2" NPTF inlet.

#### SPECIFICATIONS

SUPPLY INLET: 1/2" NPTF  
 FLOW RATE: 2.5 GPM/ 9.46 LPM MAXIMUM;  
                   2.0 GPM/ 7.6 LPM;  
                   1.75 GPM/ 6.6 LPM;  
                   1.5 GPM/ 5.7 LPM MINIMUM  
 FLOW CONTROL: VARIABLE  
 SHIPPING WEIGHT: 0.46 LBS.

#### OPTIONS

◇ BPT-British Pipe Thread	◇ VR- Vandal Resistant
◇ S-2253-E175 – #3 Low Flow showerhead <b>(1.75 GPM / 6.6 L/Min)</b>	◇ S-2253-E15 - #3 Low Flow Showerhead <b>(1.5 GPM/5.7 L/Min)</b>
◇ S-2253-E2 - #3 Low Flow Showerhead <b>(2.0 GPM / 7.6 L/Min)</b>	◇

#### INSTALLATION

Apply pipe thread tape in a clockwise direction to threads of shower arm. Pipe joint compound may be used instead of tape. Turning in a clockwise direction, thread the showerhead on to the shower arm. Tighten with a pipe wrench or a pair of pliers. Position the showerhead by rotating it clockwise. Make sure the ball joint coupling nut is properly tightened. Turn the water supply on and check for leaks.

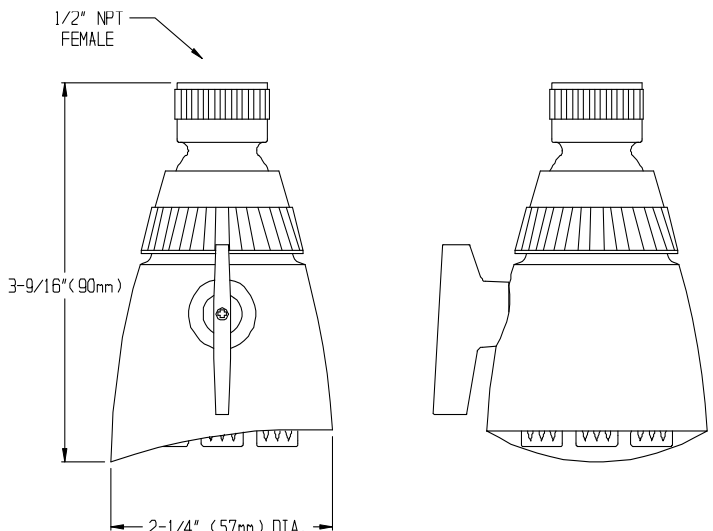
#### OPERATION

To adjust the spray pattern of the showerhead, simply rotate the handle to the desired spray (needle spray, gentle rain or full flood).

#### MAINTENANCE

The gleaming finish of your SPEAKMAN ANYSTREAM® showerhead can be cleaned by using mild soap and warm water. Dry immediately with a soft, clean cloth for best results. The flow control device limits water flow to 2.5 gallons per minute. The small orifices may become clogged with scale and other minerals found in potable water. To clean the flow regulator, simply remove the showerhead from the bent arm, pull out the locking tab from the ball, dislodge the flow regulator and clean as necessary.

#### ROUGH-IN MEASUREMENTS



Product improvements may cause specification and dimensional changes without notice.

**SPEAKMAN®**