

SPEAKMAN COMPANY

S-2252-2 Installation, Maintenance & Operation Instructions **ANYSTREAM® DUAL SHOWERHEAD**

DESCRIPTION

Polished chrome plated ANYSTREAM dual showerhead. Chrome plate brass manifold. Brass ball swivel joint. Spray adjusting lever handle. 2-3/4" face. 6 Lexan deposit resisting plungers with 48 spray channels per showerhead for a total of 96 spray streams for a full body coverage pattern. The manifold contains a shut off spindle to allow the user to shut off flow to one of the showerheads. Water conserving pressure compensating AUTOFLO® device reduces flow to 2.5 GPM/9.46LPM maximum for each showerhead, to meet existing ANSI A112.18.1M Standard. 1/2" NPT inlet.

SPECIFICATIONS

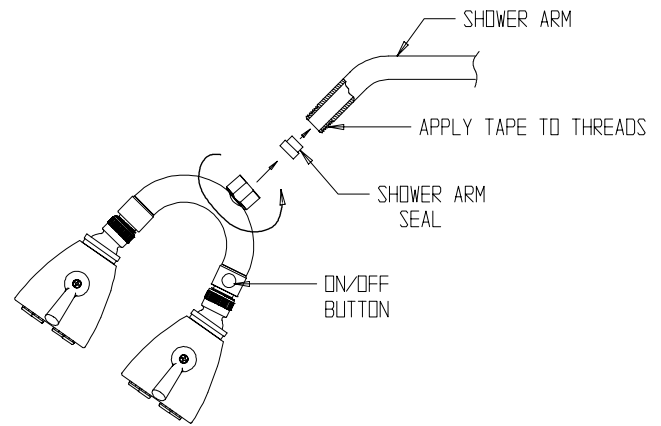
SUPPLY INLET: 1/2" NPT female
FLOW RATE PER SHOWERHEAD:
2.5 GPM/9.46LPM MAXIMUM
FLOW CONTROL: VARIABLE
SHIPPING WEIGHT: 3.5 LBS.

OPTION

◇ None

INSTALLATION

The unit comes with a rubber shower arm seal. Press the shower arm seal into the shower arm. Wrap two layers of Teflon tape in a clockwise direction around the shower arm threads. Turning in a clockwise direction, thread the manifold onto the shower arm a minimum of 3 turns. Use a wrench on the flats of the manifold to then tighten until the On/Off button is in the lower position. **DO NOT GRAB THE MANIFOLD AND TWIST THE UNIT. USE THE FLATS PROVIDED. DO NOT OVERTIGHTEN.**



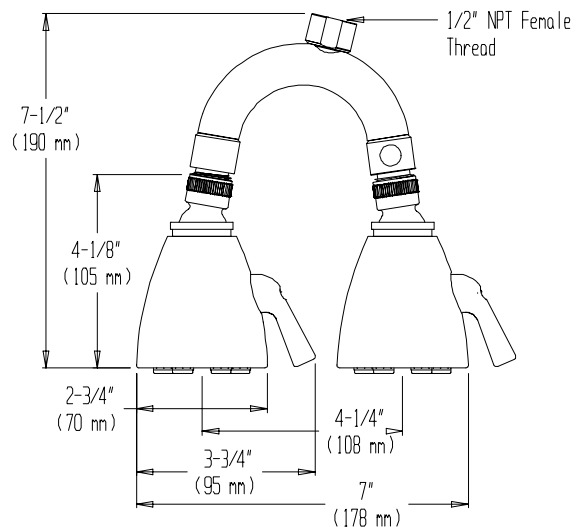
OPERATION

To adjust the spray pattern of the showerheads, simply rotate the handles to the desired spray (needle spray, gentle rain or full flood).

MAINTENANCE

The gleaming finish of your SPEAKMAN ANYSTREAM® showerhead can be cleaned by using mild soap and warm water. Dry immediately with a soft, clean cloth for best results. The flow control devices limits water flow to 2.5 gallons per minute. The small orifices may become clogged with scale and other minerals found in potable water. The flow controls are located in the swivel balls of each showerhead.

ROUGH-IN MEASUREMENTS



Product improvements may cause specification and dimensional changes without notice.

SPEAKMAN®

PO Box 191 Wilmington, DE 19899

Phone: 800-537-2107 Fax: 800-977-2747

Visit us on the web at www.speakmancompany.com

08/06
92-2713
Rev-1