

SPEAKMAN COMPANY

S-2222-HS-CP Installation, Maintenance & Operation Instructions ANYSTREAM® DUAL SHOWERHEAD

DESCRIPTION

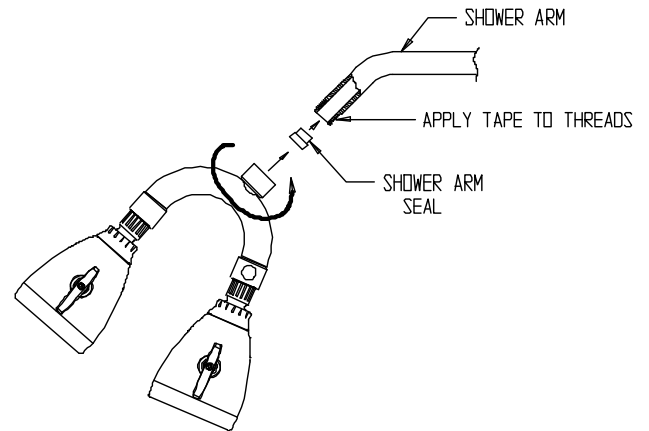
Polished chrome plated ANYSTREAM 2000 dual showerhead. Chrome plate brass manifold. Brass ball swivel joint. Spray adjusting T-handle. 3-1/4" face. 5 self cleaning plunger nozzles per head resist scale build-up and provide 100 spray streams for a full body coverage pattern. The two center core nozzles deliver eighteen vibra-massage jets. Combination spray available. The manifold contains a shut off spindle to allow the user to shut off flow to one of the showerheads. Water conserving pressure compensating AUTOFLO® device reduces flow to 2.5 GPM/9.46LPM maximum for each showerhead, to meet existing ANSI A112.18.1 standard. 1/2" NPTF inlet.

SPECIFICATIONS

SUPPLY INLET: 1/2" NPT Female Inlet
FLOW RATE PER SHOWERHEAD: 2.5 GPM/9.46LPM MAXIMUM
FLOW CONTROL: VARIABLE
SHIPPING WEIGHT: 2.82 LBS.

INSTALLATION

The unit comes with a rubber shower arm seal. Press the shower arm seal into the shower arm. Wrap two layers of Teflon tape in a clockwise direction around the shower arm threads. Turning in a clockwise direction, thread the manifold onto the shower arm a minimum of 3 turns. Use a wrench on the flats of the manifold to then tighten until the On/Off button is in the lower position. **DO NOT GRAB THE MANIFOLD AND TWIST THE UNIT. USE THE FLATS PROVIDED. DO NOT OVERTIGHTEN.**



OPERATION

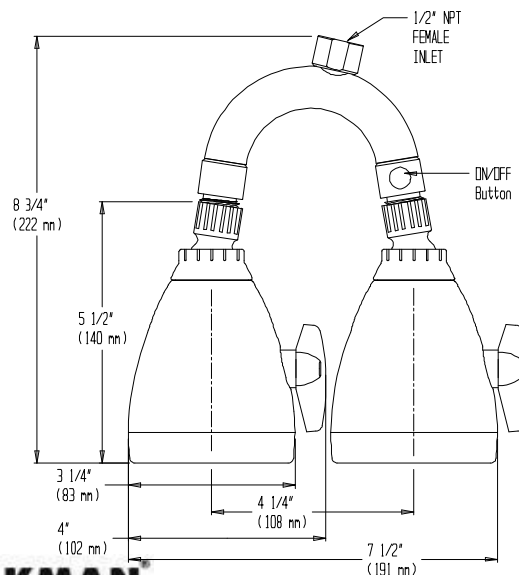
To adjust the spray pattern of the showerheads, simply rotate the handles to the desired spray (needle spray, gentle rain or vibra-massage).

MAINTENANCE

The gleaming finish of your SPEAKMAN ANYSTREAM® showerhead can be cleaned by using mild soap and warm water. Dry immediately with a soft, clean cloth for best results. The flow control devices limits water flow to 2.5 gallons per minute. The small orifices may become clogged with scale and other minerals found in potable water. The flow controls are located in the swivel balls of each showerhead.

Product improvements may cause specification and dimensional changes without notice.

ROUGH-IN MEASUREMENTS



SPEAKMAN

400 Anchor Mill Rd., New Castle, DE 19720 Phone: 800-537-2107 Fax: 800-977-2747

Visit us on the web at www.speakmancompany.com

1/11
R1
92-3211