

# SPEAKMAN COMPANY

## S-2005-H Installation, Operation, & Maintenance Instructions ANYSTREAM® SHOWERHEAD

### DESCRIPTION

Polished chrome plated ANYSTREAM® S-2005 Showerhead. Spray adjusting T-handle. 3 1/4" face. 5 self-cleaning plunger nozzles resist scale build-up and provide 50 spray streams for a full body coverage pattern. Center core nozzles deliver 8 pulsating-massage jets. There is also a dual action combination spray. Water conserving pressure compensating AUTOFLO® device reduces flow to 2.5 GPM/9.46LPM maximum to meet existing ASME A112.18.1/CSA B125.1 standard. Brass threaded inlet with 1/2" NPT inlet.

### SPECIFICATIONS

SUPPLY INLET: 1/2" NPT  
FLOW RATE: 2.5 GPM/ 9.46LPM MAXIMUM  
SHIPPING WEIGHT: 1 LB.

### OPTIONS

◇ BN: Brushed Nickel Finish
◇ PB: Polished Brass (Gold) Finish
◇ S-2005-H-E2: Eco 2.0 GPM (7.6 L/min) Showerhead

### INSTALLATION

This showerhead comes installed with the EZ connection, which requires no pipe tape or pipe joint compound for installation. Simply attach by threading the showerhead onto the shower arm by turning in a clockwise direction. Use a cloth to protect the surface as the showerhead is tightened down using a pipe wrench or pair of pliers. Position the showerhead by rotating it clockwise. Turn the water supply on and check for leaks. Check all threaded connections periodically to make sure they are tight. If the shower outlet arm threads are damaged or not in accordance with standard specifications, pipe tape may be required to assure a proper seal.

### OPERATION

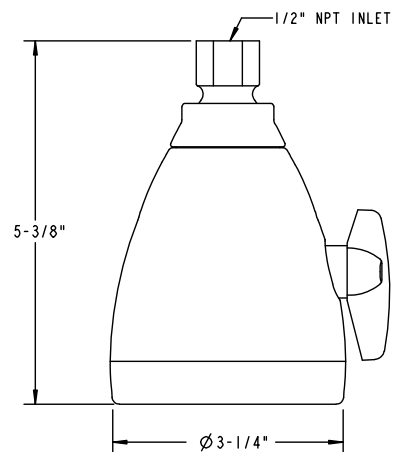
To adjust the spray pattern of the showerhead, simply rotate the handle to the desired spray (Full-Body, Dual action or Massage).

### MAINTENANCE

Periodic cleaning using mild soap and warm water will help keep your SPEAKMAN ANYSTREAM® showerhead's appearance in its original condition. For best results, dry immediately with a soft, clean cloth. **Caution: Do not use harsh and/or abrasive cleaners on showerheads.** In certain water conditions, mineral deposits may form on your faceplate. To reduce the mineral build-up, turn the handle to FLOOD position to let the water drain out after every use. A gentle scrubbing of the plunger or channels with a toothbrush should restore your spray pattern. On **chrome** plated showerheads, white vinegar/water treatment will assist in breaking down excessive mineral deposits on the sprays. The showerhead faceplate can be soaked in a two (2) parts white vinegar & (1) part water solution for about 1/2 hour to break up the mineral deposits. Rinse thoroughly. Brush off any remaining mineral deposits if necessary. **CAUTION: On all special finish parts, including any of the nickel or brass finishes, the white vinegar/water treatment should not be used.**

### ROUGH-IN MEASUREMENTS

Product improvements may cause specification and dimensional changes without notice.



**SPEAKMAN®**

PO Box 191 Wilmington, DE 19899 Phone: 800-537-2107 Fax: 800-977-2747  
Visit us on the web at [www.speakmancompany.com](http://www.speakmancompany.com)

1/11  
REV 1  
92-3205