

SPEAKMAN COMPANY

S-1495-AF Installation, Maintenance & Operation Instructions

SENTINEL MARK II ® REGENCY™ SHOWER

DESCRIPTION

Speakman Sentinel Mark II Regency exposed anti-scald balanced pressure shower. Brass lever handle. Adjustable temperature limit stop. Chrome plated cast brass body. Pressure balancing module. Ceramic temperature regulating module. ½" NPTF inlets and outlets. Adjustable stops for supply connections from floor, ceiling, or wall. 7-1/2" center to center. Polished chrome plated brass gooseneck with supporting strap. S-2292-AF showerhead with flow control device reduces flow to 2.5 GPM/9.46 LPM maximum to meet existing ANSI A112.18.1M Standard. Vandal resistant standard. Meets ASSE 1016, 1989 Standard.

SPECIFICATIONS

SUPPLY: ½" NPT FEMALE

FLOW RATE: SHOWERHEAD, 2.5 GPM/9.46 LPM, (FIXED)

SHIPPING WEIGHT: XXX LBS.

OPTIONS

◇ LH – Less Showerhead	◇ 2 - S-2252-AF – ANYSTREAM® Shower head	◇ 3 - S-2253-AF ANYSTREAM® Shower head
◇ 4 - S-2220-AF – ADJUSTA-SPRAY® Shower head	◇ 5 - S-2270-AF – COSMOPOLITAN® Shower head	◇ 6 - S-2288-AF - ANYSTREAM® Shower head

INSTALLATION

Note: Refer to the rough-in during installation.

Install the hot and cold supply lines for the valve either through the wall, from the ceiling or from the floor. For ceiling and floor supply installations, hold 1" from finished wall to center of supply lines. Supply inlets are ½" NPT female. Apply pipe sealant to male threaded supply lines. Slip strap on to gooseneck. Apply sealant to inlet threads of gooseneck and screw into valve body. Tighten and position outlet with valve body. Connect valve body assembly to the supply lines. Fasten support strap to finish wall (screws (2) supplied). Location is optional. Apply pipe sealant to gooseneck outlet threads and attach showerhead. Open supply lines and check all connections for leaks.

To adjust the temperature limit stop, remove the handle and dial cap from the valve. Remove the rubber retaining ring and the first temperature limit stop (TLS) plate. The second TLS plate should be adjusted so that it comes into contact with the lower side of the bonnet post when the valve is in the "OFF" position. Now turn the valve on to the desired maximum hot water discharge temperature, assemble the first TLS plate so that it contacts the upper side of the bonnet post. Turn valve off and reassemble the retaining ring, cap and handle. Because of fluctuations in the hot and cold water temperatures, it is not recommended that the temperature limit stop be used to preset the unit for showering temperatures. Back to Back Installation: On this type of installation the regulating disc must be rotated 180° on the valve on which the hot and cold inlets are reversed.

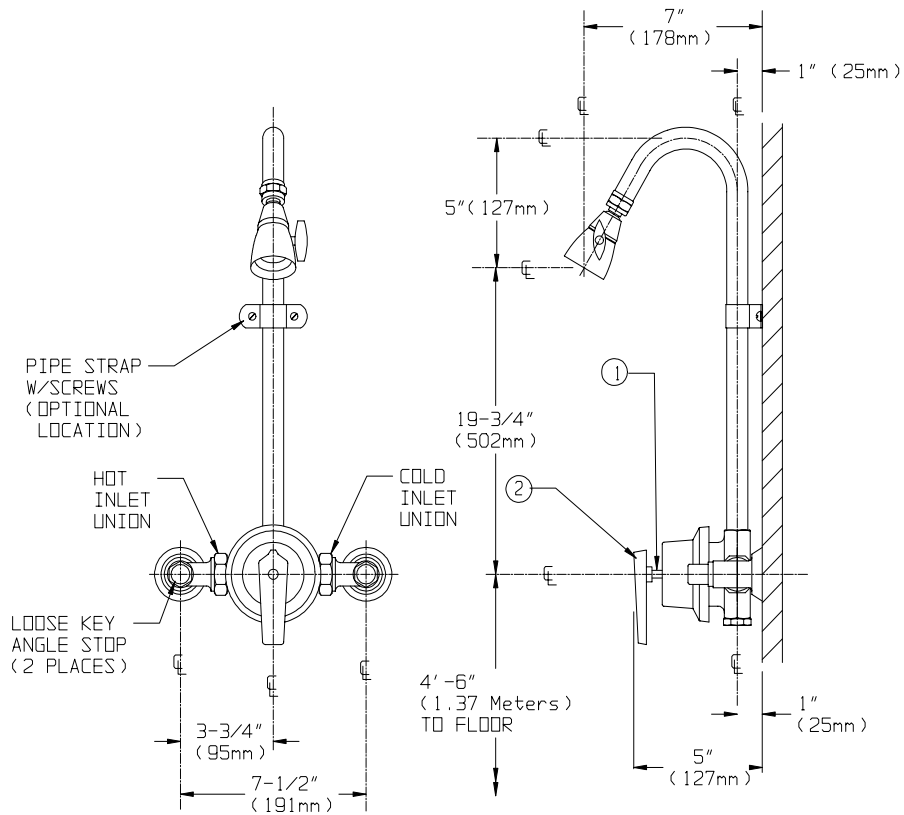
OPERATION

Note: Both the hot and cold water supplies must be on for the valve to operate properly. The handle of the valve is rotated clockwise to the desired temperature and then counter clockwise to turn the valve off.

MAINTENANCE

The Regency valve relies on ceramic components, quad-rings and O-rings for sealing. There are no seat washers or packings to repair, which reduces the need for routine maintenance. The valve contains two easily replaceable modules. They are the balancing module and the regulating module. After shutting off the water supplies to the valve, simply remove the trim and unscrew the valve bonnet. When replacing the balance module, make sure that the quad-ring seals are properly installed within the module and that the module is installed with the seals directly over the body inlet ports. The gleaming finish of your SPEAKMAN Regency shower can be cleaned by using mild soap and warm water. Dry immediately with a soft, clean cloth for best results.

ROUGH-IN MEASUREMENTS

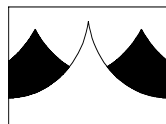


NOTES:

1. ALL DIMENSIONS ARE IN INCHES (MILLIMETERS) AND SUBJECT TO CHANGE WITHOUT NOTICE.
2. UNIT CAN BE INSTALLED WITH CEILING, FLOOR OR THROUGH THE WALL SUPPLIES.
3. 1/2" NPT FEMALE INLETS.

REPAIR / REPLACEMENT PARTS

<u>ITEM NUMBER</u>	<u>PART OR GROUP NUMBER</u>	<u>DESCRIPTION</u>
1	RPG03-0371-RCP	SPINDLE ASSY W/O-RINGS & WASHERS
NOT SHOWN	G05-0412-MO	CERAMIC REGULATING MODULE ASSY
NOT SHOWN	G05-0413	BALANCING MODULE ASSY W/QUAD RINGS
2	RPG04-0367	HANDLE WITH SCREW



SPEAKMAN

The Quality Leader since 1869
P.O. Box 191, Wilmington, DE 19899-0191
USA 1-800/537-2107, FAX: 1-800/977-2747