

S-1182



Transfer and Self-Closing Valves

□ S-1182

Chrome plated transfer valve. Chrome plated lever handle. Chrome plated brass escutcheon. 1/2" NPTF inlet and (2) outlets.

□ S-2720

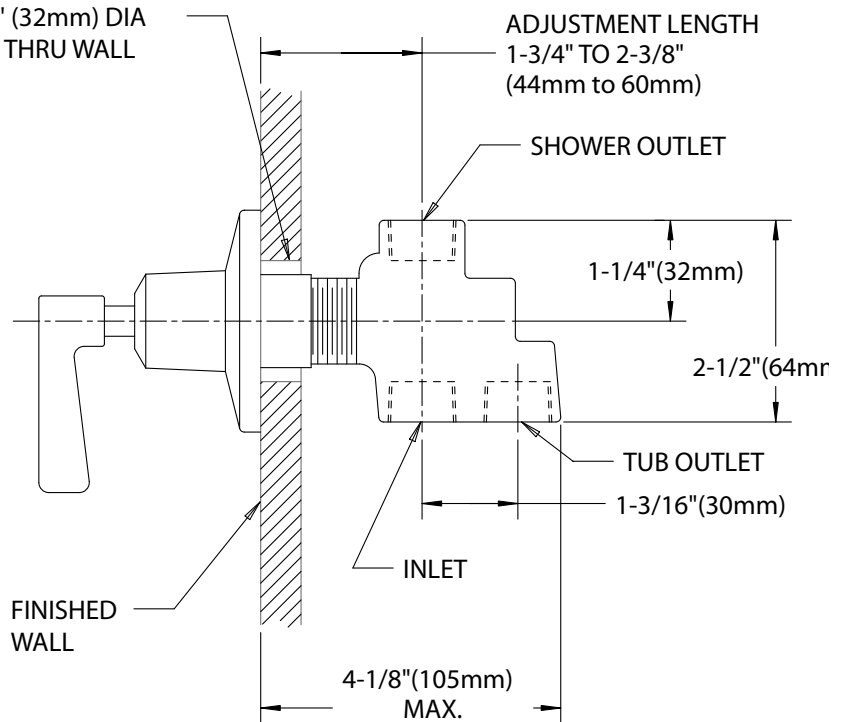
Rough chrome plated self-closing valve. 18" chain with pull ring. 1" NPTF inlet and outlet. Supplied with 1" x 1/2" NPTF bushings (2).

S-2720



S-1182

1-1/4" (32mm) DIA
 HOLE THRU WALL



NOTE: All dimensions are in inches (millimeters) unless otherwise specified and are subject to change without notice. Inlet and outlets are 1/2" NPT female.

This space for Architect/Engineer approval.

